

Schaerer Coffee Art C

Parts Manual | 06/2020 | v09



Illustrated Parts Manual Contents

SCHAERER COFFEE ART C

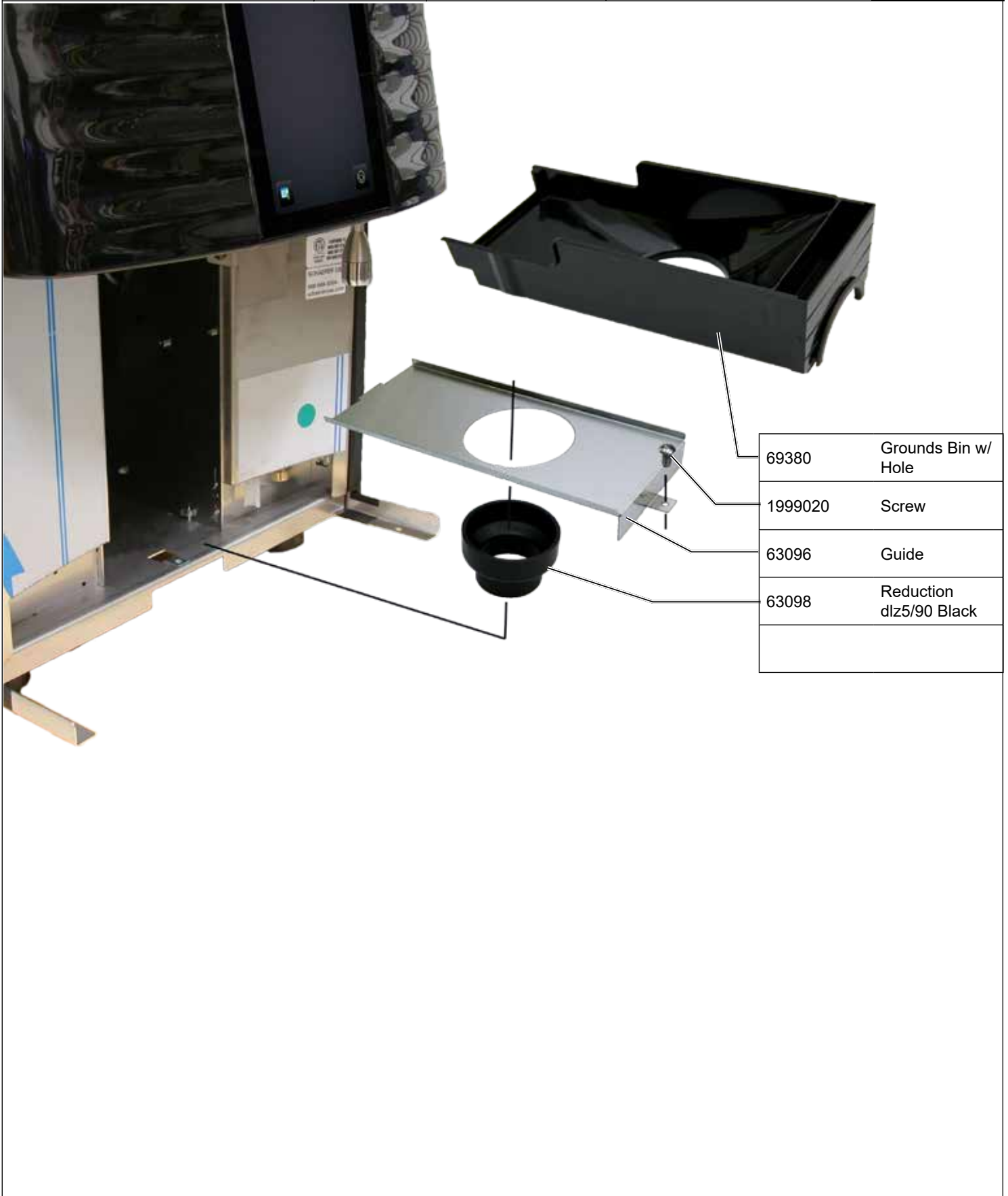
Exterior View - Front View	1.1
Exterior View - UC Grounds Kit (under counter grounds kit)	1.1.1
Exterior View - Rear View	1.2
Exterior View - Rear Cover (Fan)	1.2.1
Exterior View - Right View	1.3
Exterior View - Left View	1.4
Exterior View - Top View	1.5
Front Panel	2.1
Drip Tray	2.2
Bean Hopper	2.3
Grinder	3.1
Grinder - Internal	3.2
Grinder - Bracket	3.3
Water Pump	4.1
Water Pump - Water Inlet	4.2
Water Pump - Flowmeter	4.3
Hot Water Boiler	5.1
Hot Water Boiler - Bracket	5.1.1
Hot Water Boiler - Valves	5.2
Hot Water Boiler - Flush Valve	5.3
Automat	6.1
Automat - Internal	6.1.1
Automat - Motor	6.2
Electronics - Main Board	7.1
Electronics - Left Side	7.2
Electronics - Bottom	7.3
Electronics - Terminal Block	7.4
Electronics - GFI (Ground Fault Interrupt)	7.5
Tools and Accessories	8.1 - 8.4
Three Grinder (3G)	
(3G) - Bean Hopper	9.1
(3G) Grinder - Grinder Motor and Chassis Mounting Bracket	9.2
(3G) Grinder - Motor Mount Bracket	9.3
(3G) Grinder - Exterior View(s)	9.4
(3G) Grinder - Electronics	9.5
Hot/Cold Components	
Exterior View - Right View	10.1
Flow Meter Assembly	10.2
Exterior View - Left View	10.3
Back View - Air Pump	10.4
Top View - HC Valve	10.5
Front Panel	10.6

SCHAERER USA CORPORATION ©

All rights reserved, including translations into foreign languages. No part of this document may be copied, reproduced, distributed or communicated by electronic, printed or other means in any form without express permission. All information, technical data and illustrations contained in this guide reflect the latest factual information at the time of publication. Schaeerer USA Corporation reserves the right to introduce changes, modifications or updates at any time without specific notification.

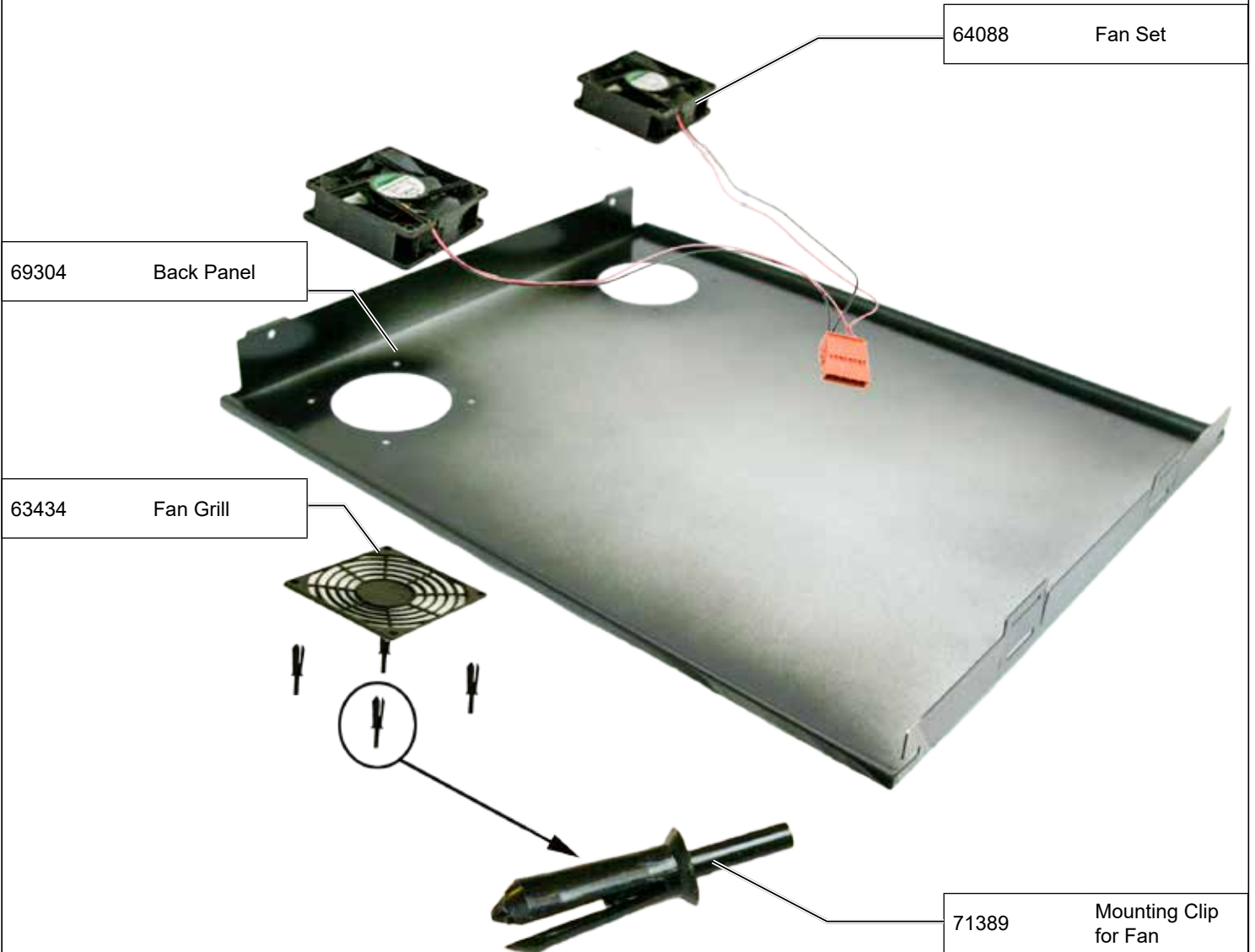
Illustrated Parts Manual	2.11.16	Exterior View	Front View	Page 1.1
---------------------------------	----------------	----------------------	-------------------	-----------------

Not sold individually	GBH Lid		Not sold individually	GBH Lid
68230	GBH Complete		68230	GBH Complete
69324	Tablet Insert		69431	Rear Rail
69424	Side Rail		69424	Side Rail
1999023	Security Screw			
065127	Touch Screen		61350	Cap 14.3x16.7
			61973	Cap for Grinder Adjustment
See Page 2.1	Front Panel		69303	Side Panel Right
			71722	USB Plug
			71691	Hot Water Pipe
69302	Side Panel Left			
69381	Front Plate Left			
61716	Spout Holder Short		61667	Hot Water Mouth Piece
61719	Spout		61919	Hot Water Nozzle Neoperl
69273	Schaerer Logo		69320	Front Plate Right
69301	Drip Grill		63711	Pressure Gauge
69391	Drip Tray		69375	Center Plate
69277	Coffee Art Plus Logo		69322	Grounds Bin
			66389	Grounds Bin Cover
			See Page 1.1.1	Under Counter Grounds Kit



69380	Grounds Bin w/ Hole
1999020	Screw
63096	Guide
63098	Reduction dlz5/90 Black

<table border="1" style="width:100%; border-collapse: collapse;"> <tr> <td style="width:15%;">See Page 1.2.1</td> <td>Fan Set</td> </tr> <tr> <td>64088</td> <td>Fan Set</td> </tr> <tr> <td>63434</td> <td>Fan Grill</td> </tr> <tr> <td>71389</td> <td>Mounting Clip for Fan</td> </tr> <tr> <td>69949</td> <td>Schaerer Logo (back panel)</td> </tr> </table>	See Page 1.2.1	Fan Set	64088	Fan Set	63434	Fan Grill	71389	Mounting Clip for Fan	69949	Schaerer Logo (back panel)	<table border="1" style="width:100%; border-collapse: collapse;"> <tr> <td style="width:15%;"></td> <td>Not sold individually</td> <td>GBH Lid</td> </tr> <tr> <td>68230</td> <td>Glass Bean Hopper Complete</td> </tr> <tr> <td>69431</td> <td>Rear Rail</td> </tr> </table>		Not sold individually	GBH Lid	68230	Glass Bean Hopper Complete	69431	Rear Rail	<table border="1" style="width:100%; border-collapse: collapse;"> <tr> <td style="width:15%;"></td> <td>69304</td> <td>Back Panel</td> </tr> <tr> <td></td> <td>69589</td> <td>Warning Sticker</td> </tr> </table>		69304	Back Panel		69589	Warning Sticker	<table border="1" style="width:100%; border-collapse: collapse;"> <tr> <td style="width:15%;"></td> <td>68756</td> <td>20A Power Cord w/ molded L6-20P</td> </tr> </table>		68756	20A Power Cord w/ molded L6-20P
See Page 1.2.1	Fan Set																												
64088	Fan Set																												
63434	Fan Grill																												
71389	Mounting Clip for Fan																												
69949	Schaerer Logo (back panel)																												
	Not sold individually	GBH Lid																											
68230	Glass Bean Hopper Complete																												
69431	Rear Rail																												
	69304	Back Panel																											
	69589	Warning Sticker																											
	68756	20A Power Cord w/ molded L6-20P																											
<table border="1" style="width:100%; border-collapse: collapse;"> <tr> <td style="width:15%;">66143</td> <td>Base Foot Ambiente/SCA</td> </tr> <tr> <td>72002</td> <td>Feet Extension 4"</td> </tr> <tr> <td>67766</td> <td>Main Water Hose</td> </tr> <tr> <td>67784</td> <td>Drain Hose SCA</td> </tr> <tr> <td>66794</td> <td>Clamp for Drain Hose</td> </tr> </table>	66143	Base Foot Ambiente/SCA	72002	Feet Extension 4"	67766	Main Water Hose	67784	Drain Hose SCA	66794	Clamp for Drain Hose	<table border="1" style="width:100%; border-collapse: collapse;"> <tr> <td style="width:15%;">1019009</td> <td>Nut M10</td> </tr> <tr> <td>1064007</td> <td>Washer M10</td> </tr> <tr> <td>66143</td> <td>Base Foot Ambiente/SCA</td> </tr> </table>	1019009	Nut M10	1064007	Washer M10	66143	Base Foot Ambiente/SCA	<table border="1" style="width:100%; border-collapse: collapse;"> <tr> <td style="width:15%;"></td> <td style="text-align: center;">  </td> </tr> <tr> <td style="width:15%;"></td> <td style="text-align: center;">  </td> </tr> </table>											
66143	Base Foot Ambiente/SCA																												
72002	Feet Extension 4"																												
67766	Main Water Hose																												
67784	Drain Hose SCA																												
66794	Clamp for Drain Hose																												
1019009	Nut M10																												
1064007	Washer M10																												
66143	Base Foot Ambiente/SCA																												
																													
																													



66951	Nut Clip M4
61859	Nipple
71022	2 Way Valve 1.2mm(bypass)
74158	Elbow Quick Connect

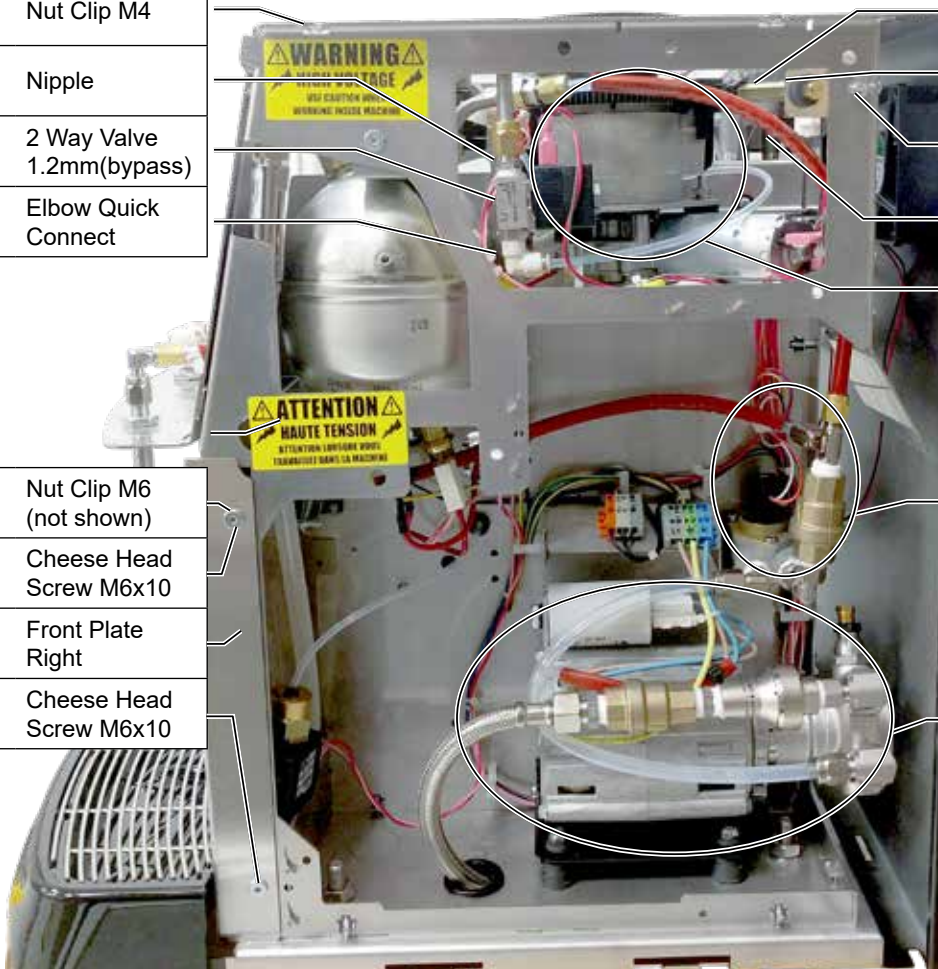
61953	Gr. Adjustment Extension Long
13544	Rubber Grommet
1680025	Frame Screw
63460	Teflon Tube to Coffee Boiler

66164	Nut Clip M6 (not shown)
1999010	Cheese Head Screw M6x10
69320	Front Plate Right
1999010	Cheese Head Screw M6x10

See Page 3.1 Grinder

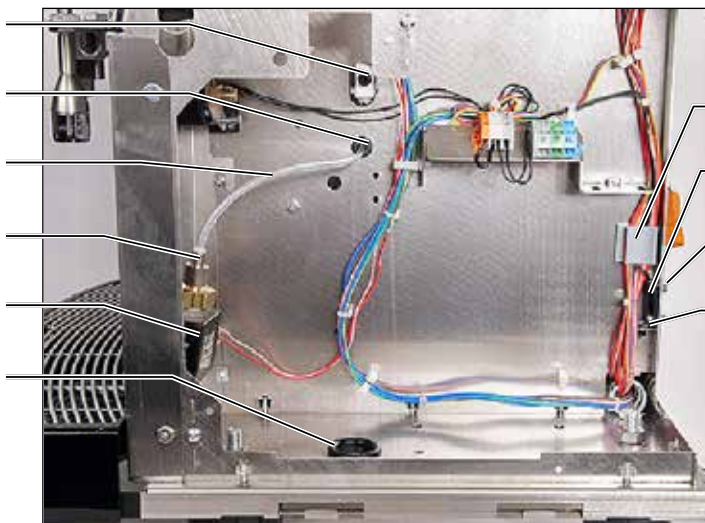
See Page 4.3 Flowmeter

See Page 4.1 Pump

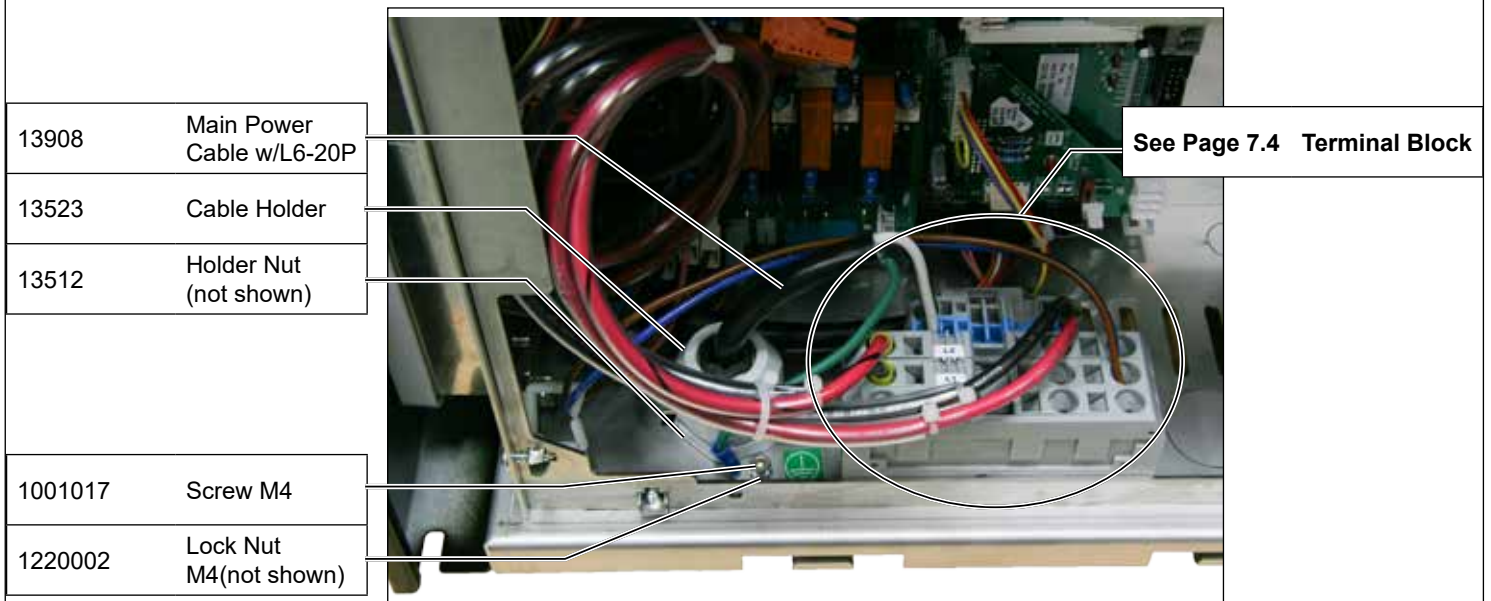
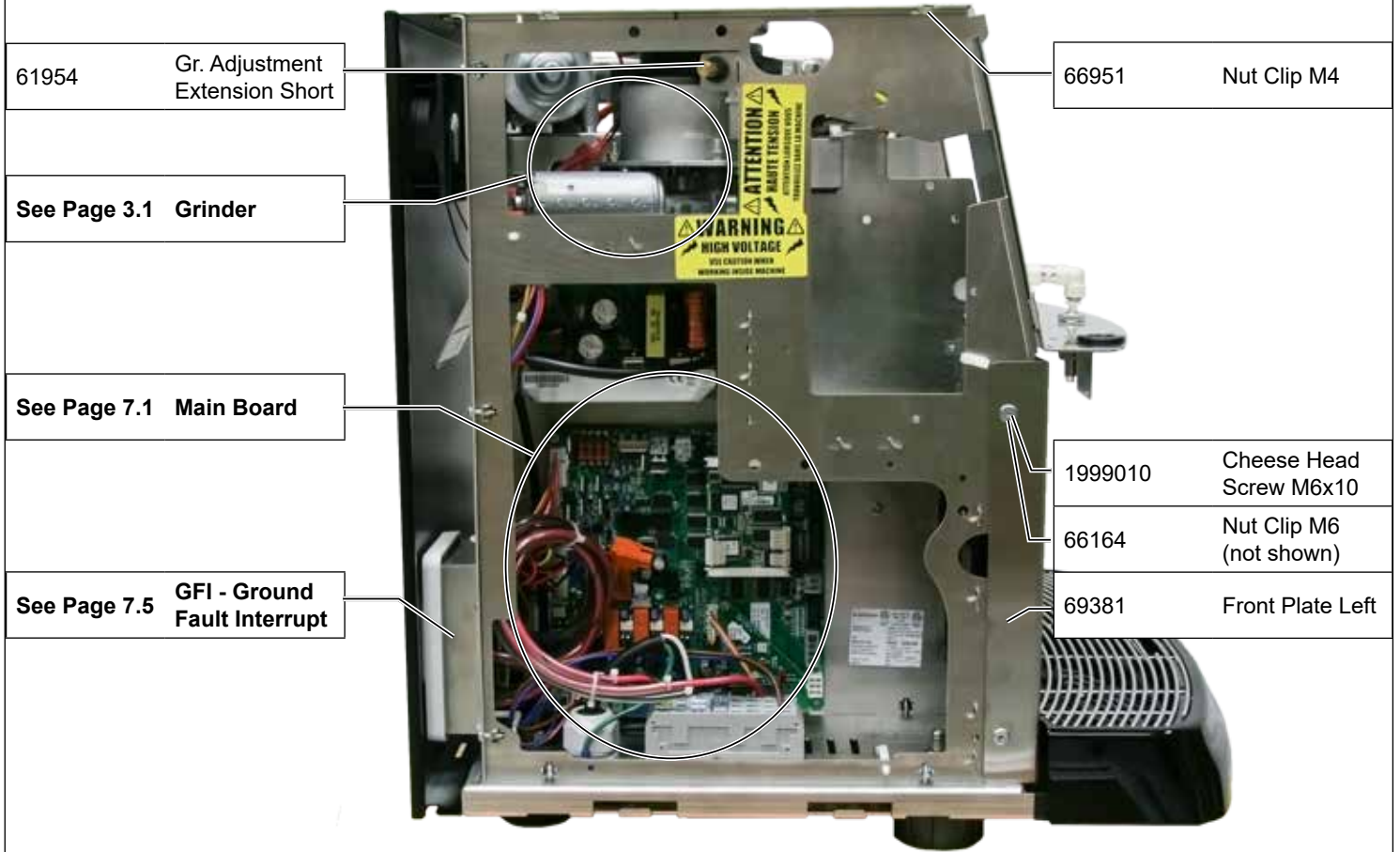


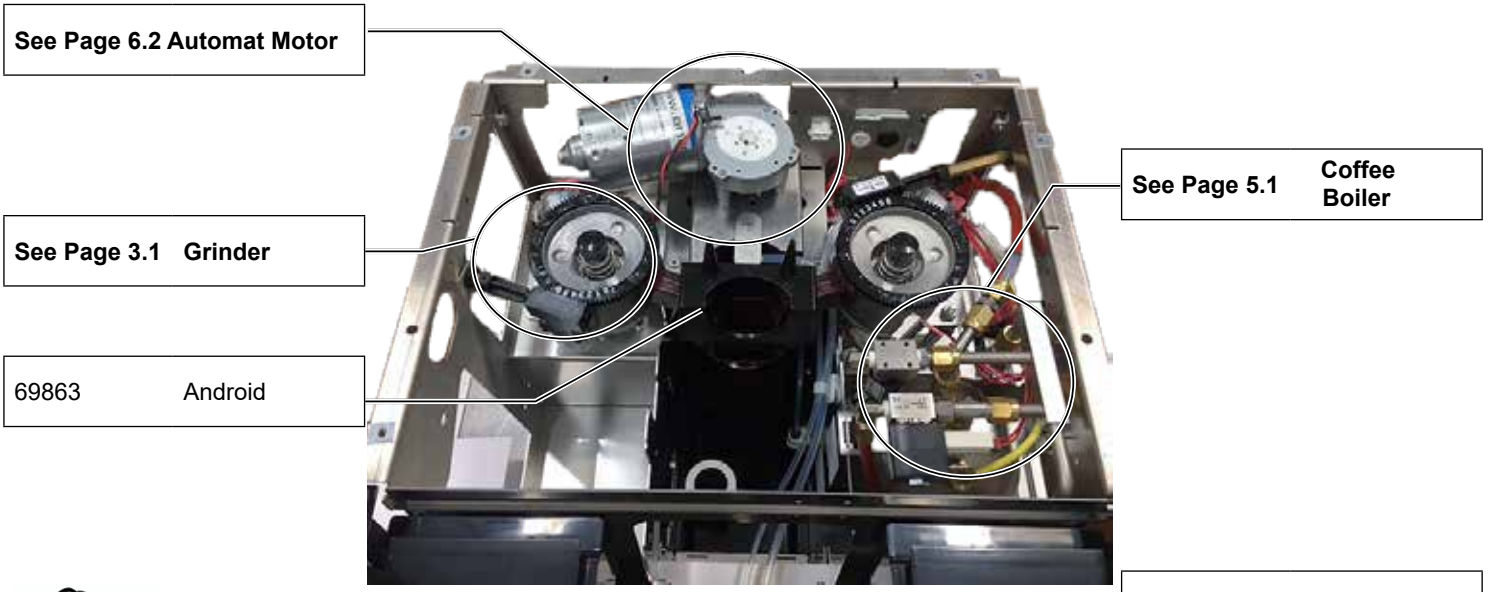
62120	T-Connector
13545	Grommet
70993	Teflon Tube (3 feet)
69489	Quick con. Adapter
61029	Flush Valve
13548	Rubber Protection

84872	Cable Clip
71016	Reed Sensor
1220001	Lock Nut M3
1044033	Screw M3



Right View W/O Pump





See Page 6.2 Automat Motor

See Page 3.1 Grinder

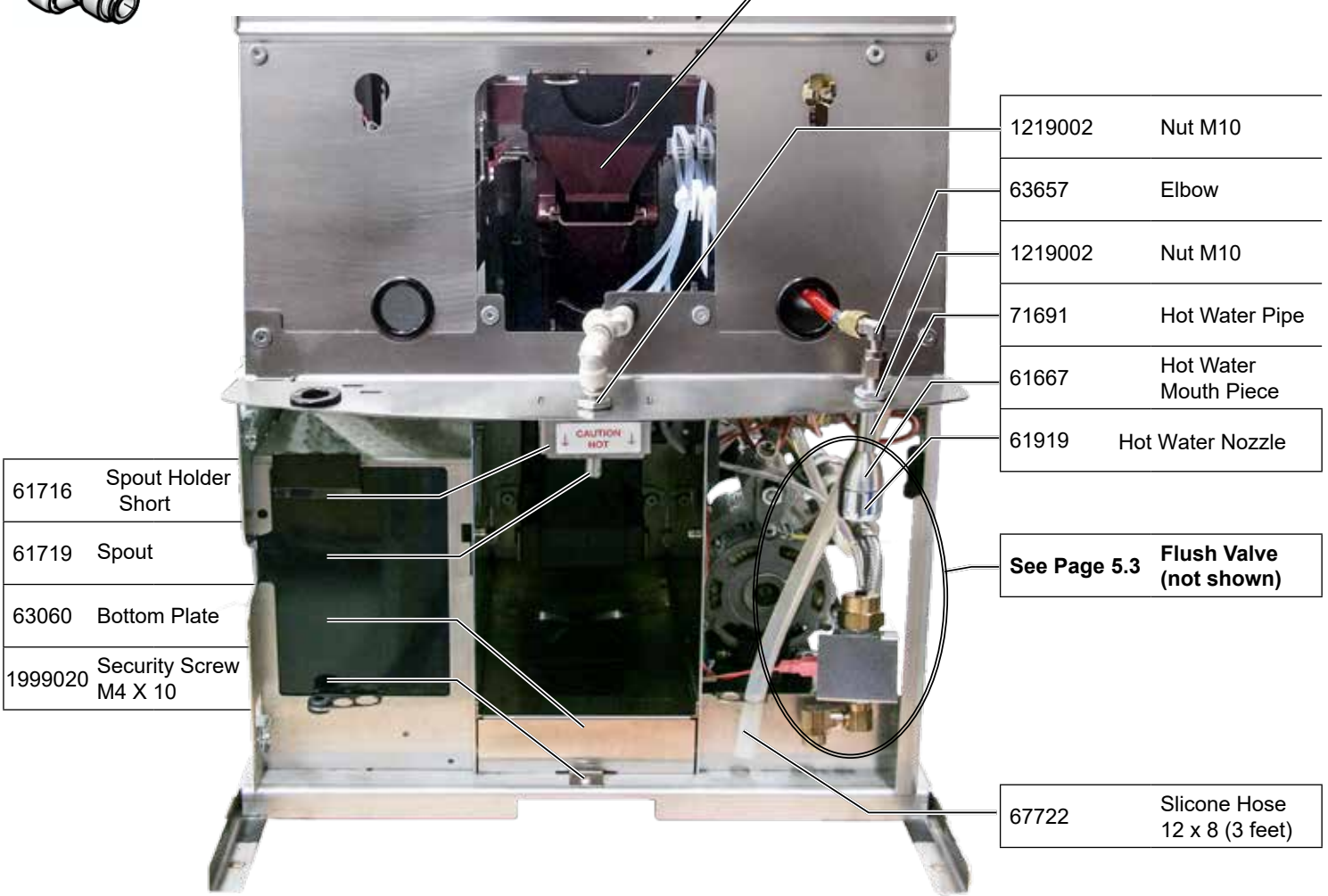
69863 Android

See Page 5.1 Coffee Boiler



3370066590 - 4in1 4-4-6-6-8

See 6.1 Automat



61716 Spout Holder Short

61719 Spout

63060 Bottom Plate

1999020 Security Screw M4 X 10

1219002 Nut M10

63657 Elbow

1219002 Nut M10

71691 Hot Water Pipe

61667 Hot Water Mouth Piece

61919 Hot Water Nozzle

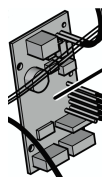
See Page 5.3 Flush Valve (not shown)

67722 Silicone Hose 12 x 8 (3 feet)

68919	Front Panel TouchIT - Black Complete
69868	Front Panel Black (no ext. buttons)
065127	Touch Screen



63252	Card Reader
69880	Panel Back Center
71722	USB Plug (not shown)
68003	USB Drive



3370075201 - external button conversion
3370069877 - external button circuit only

1220004	Self Lock Nut M6 (not shown)
63089	Front Panel Holder
1001050	Socket Screw M6x20
69870	Panel Back Right
69870	Panel Back Left





69273	Schaerer Logo
69301	Drip Grill
69391	Drip Tray
69277	Coffee Art Plus Logo
1042050	Pan Head Screw M4 x 50
61302	Knurled Nut

67784	Drain Hose SCA
66794	Clamp for Drain Hose





N/A	GBH Lid (only sold with hopper)
68230	Glass Bean Hopper
73719	Grinder Seal

74450	Top Plate for Glass Bean Hopper
1999023	Security Screw
69494	Side Rail
68235	Bean Hopper Bracket
74292	Cap for Grinder Adjustment
69431	Rear Rail

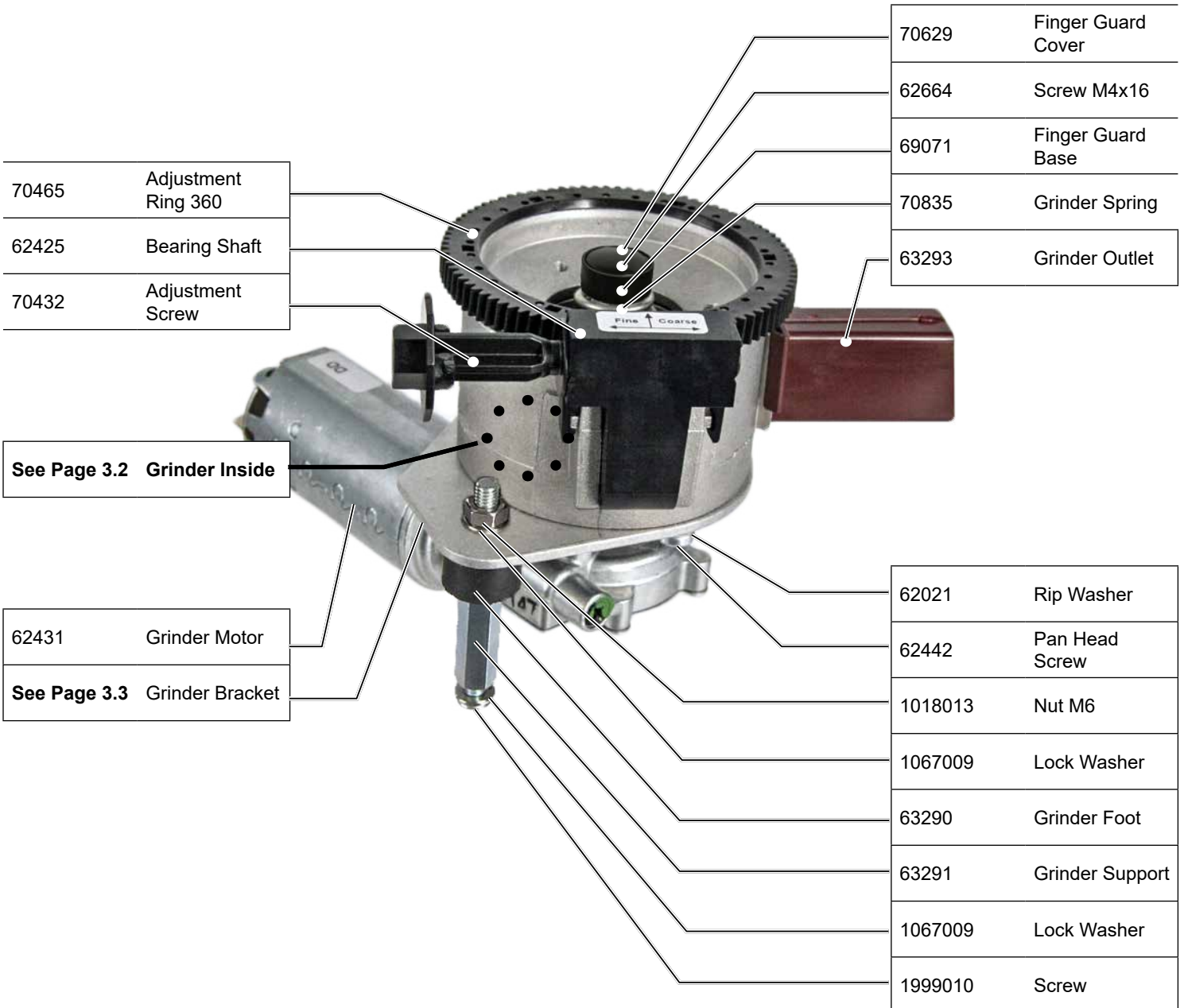


1001016	Screw for Bean Hopper Bracket
69325	Tablet Insert Funnel
1001016	Screw for Tablet Insert
1001016	Screw for Side/Rear Rail

74296 Grinder Complete (left)

Replacement Grinder Will Fit Ambiente and Coffee Art Plus

74297 Grinder Complete (right)
(same parts, but reverse mounting)



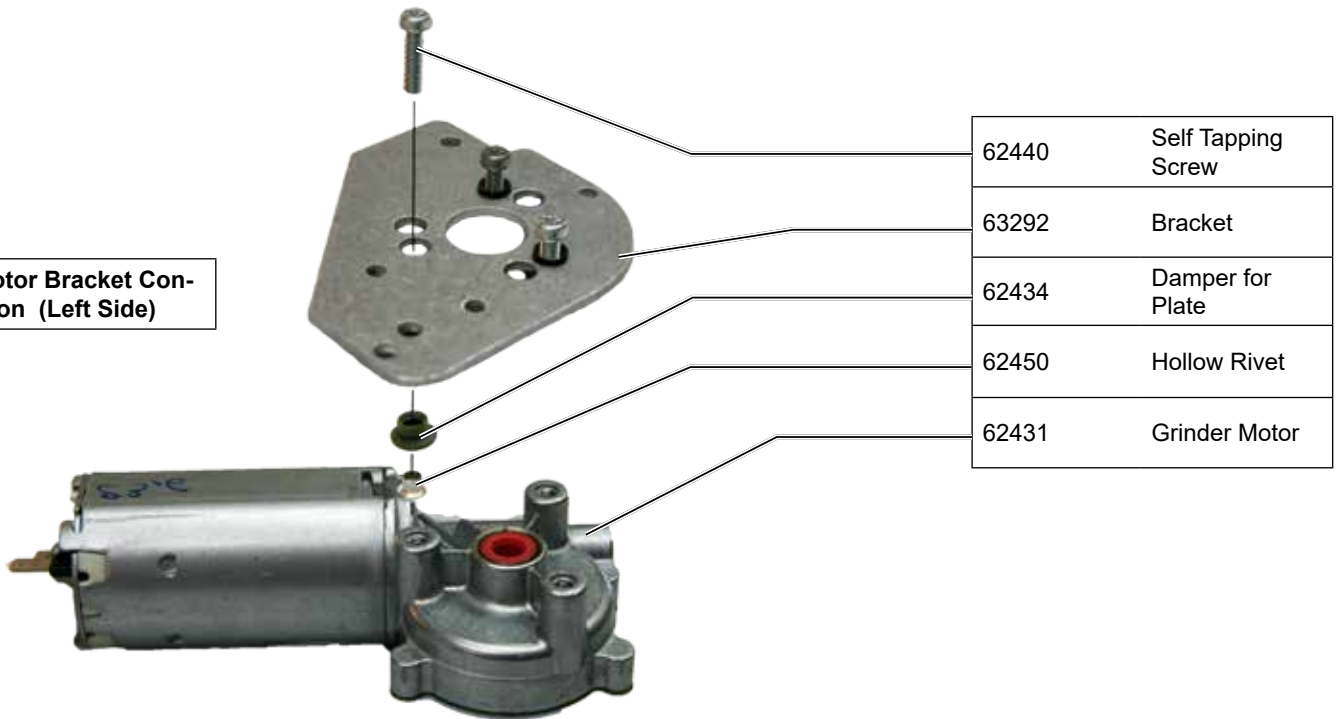
62664	Screw M4 X 16
70629	Finger Guard Cover
69071	Finger Guard Base
70835	Grinder Spring

70465	Adjustment Ring
70835	Grinder Spring
69071	Finger Guard Base
70629	Finger Guard Cover
62664	Screw M4 X 16



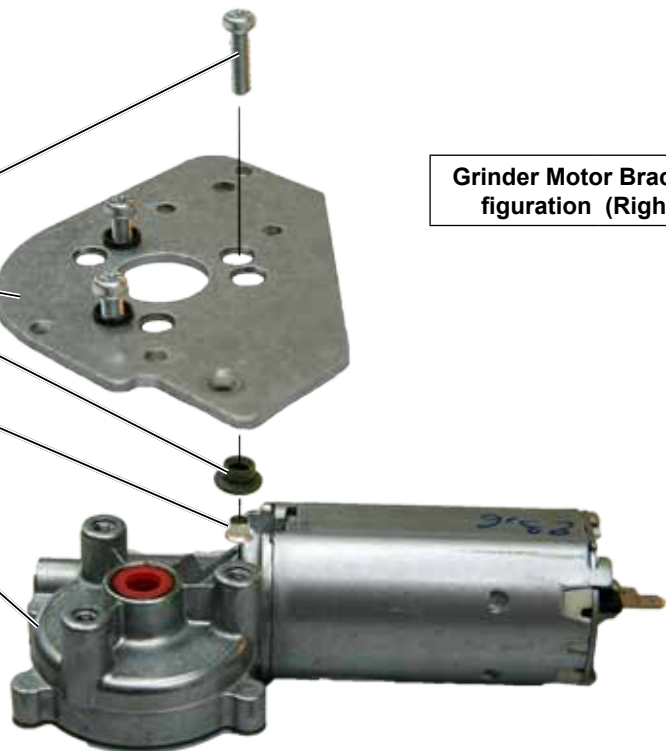
70465	Adjustment Ring
71263	3 Screw Grinder Blade Set

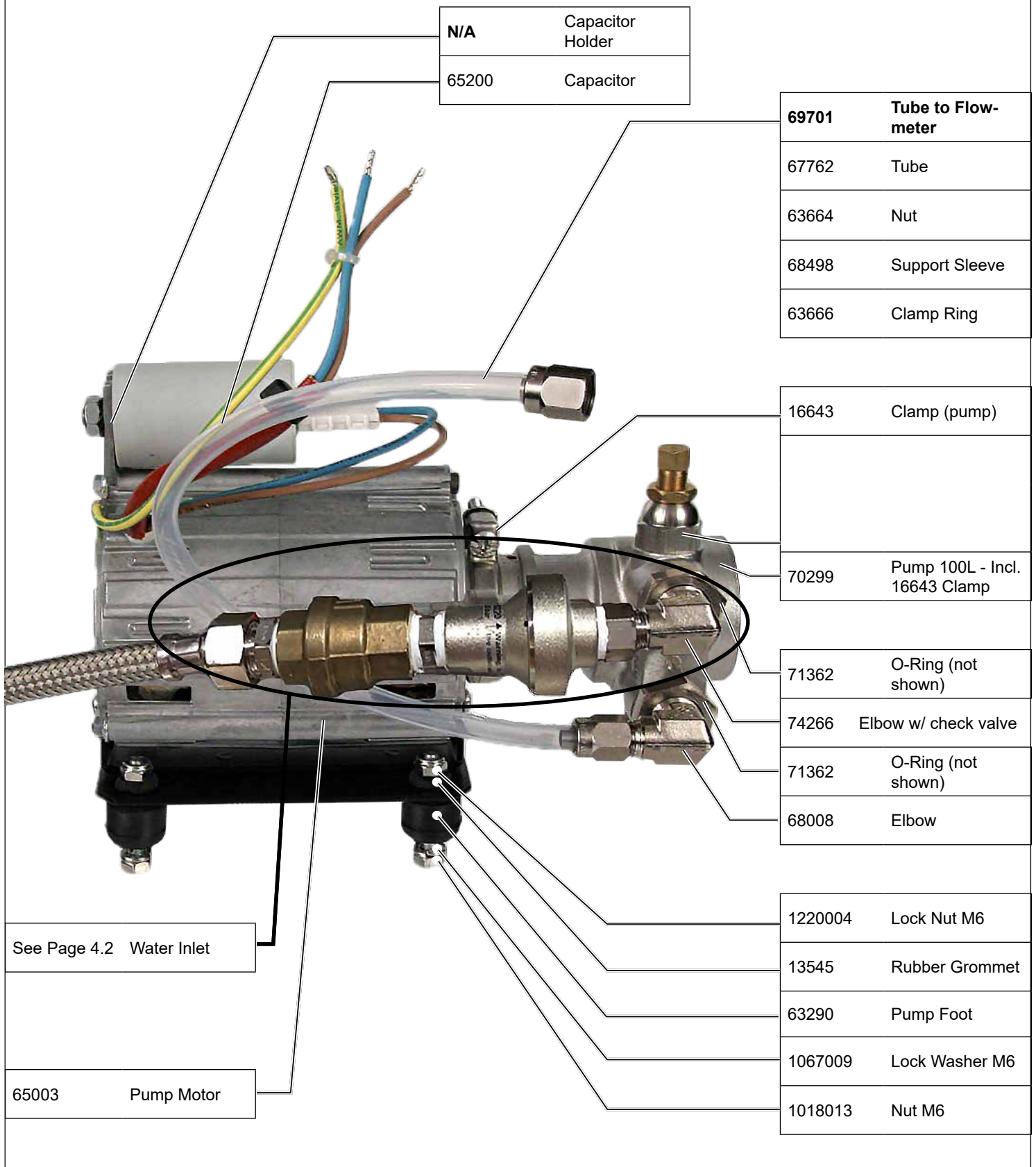
Grinder Motor Bracket Configuration (Left Side)

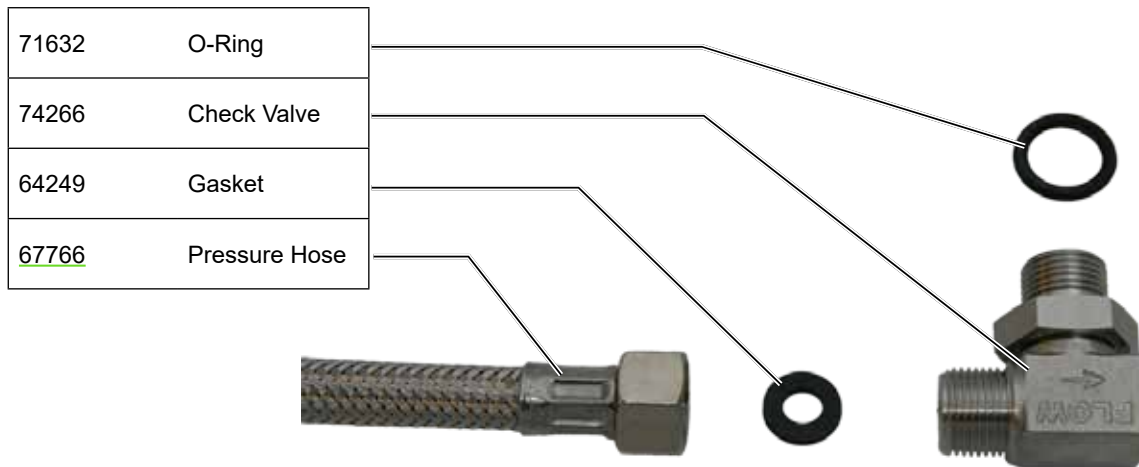
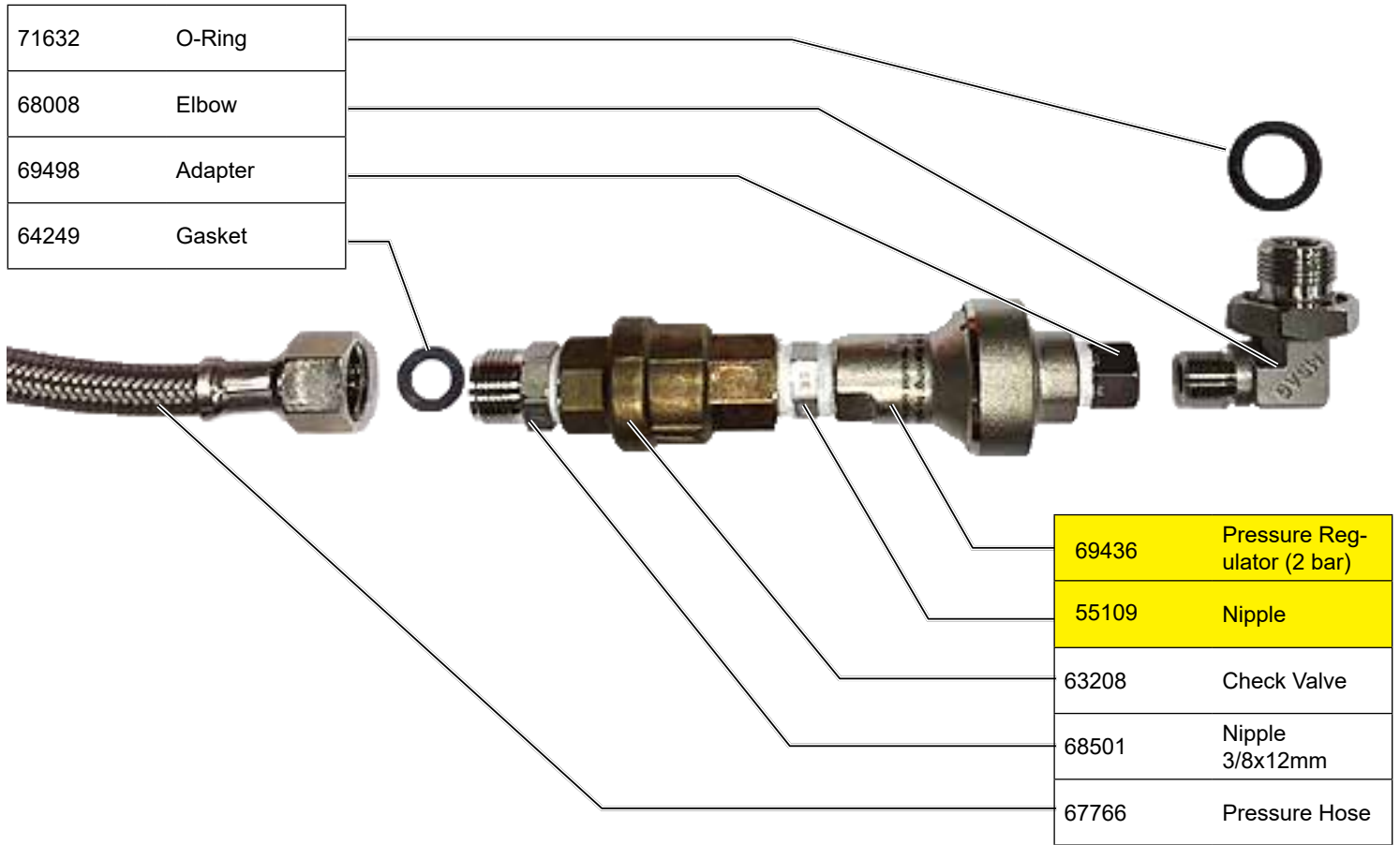


62440	Self Tapping Screw
63292	Bracket
62434	Damper for Plate
62450	Hollow Rivet
62431	Grinder Motor

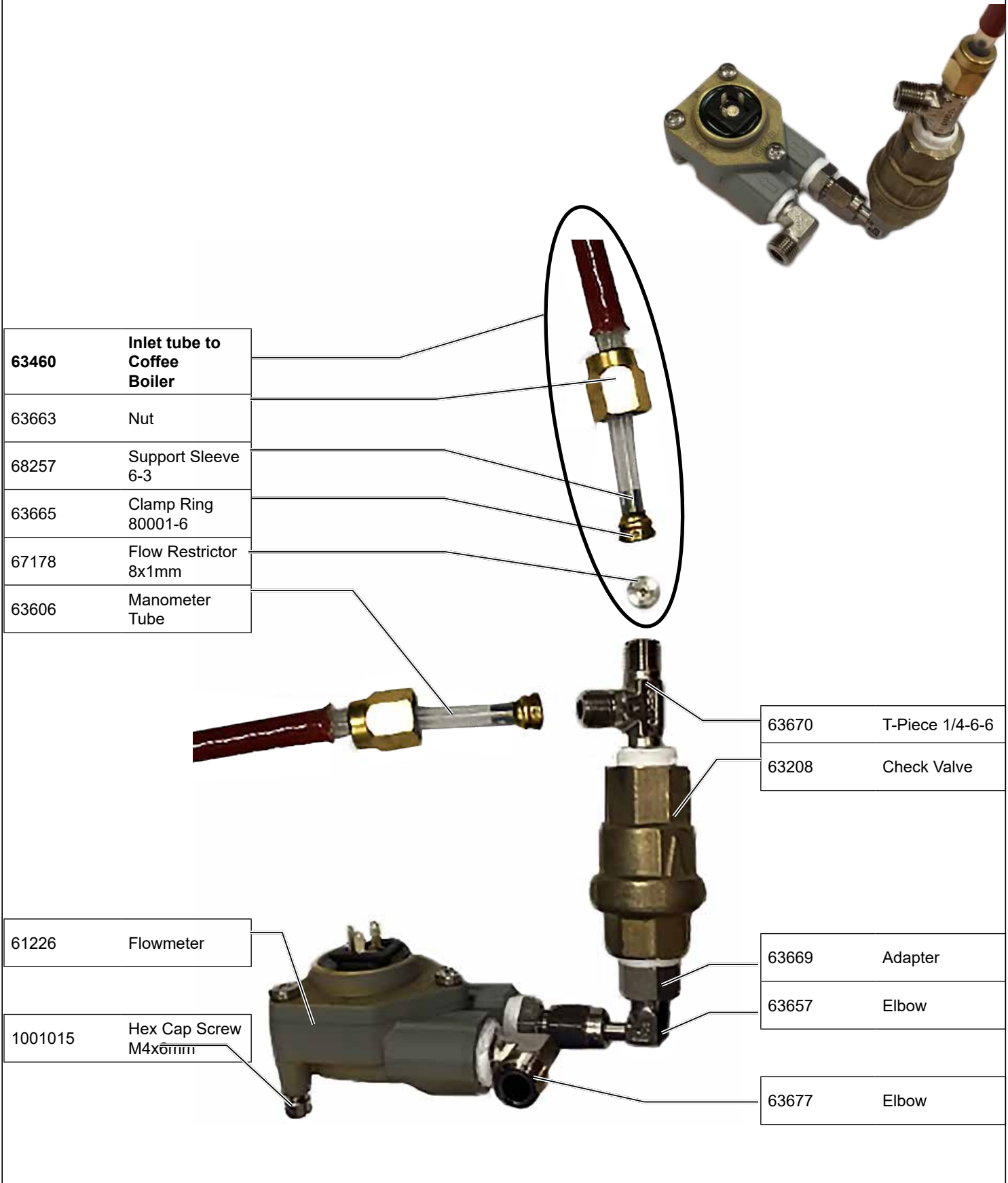
Grinder Motor Bracket Configuration (Right Side)





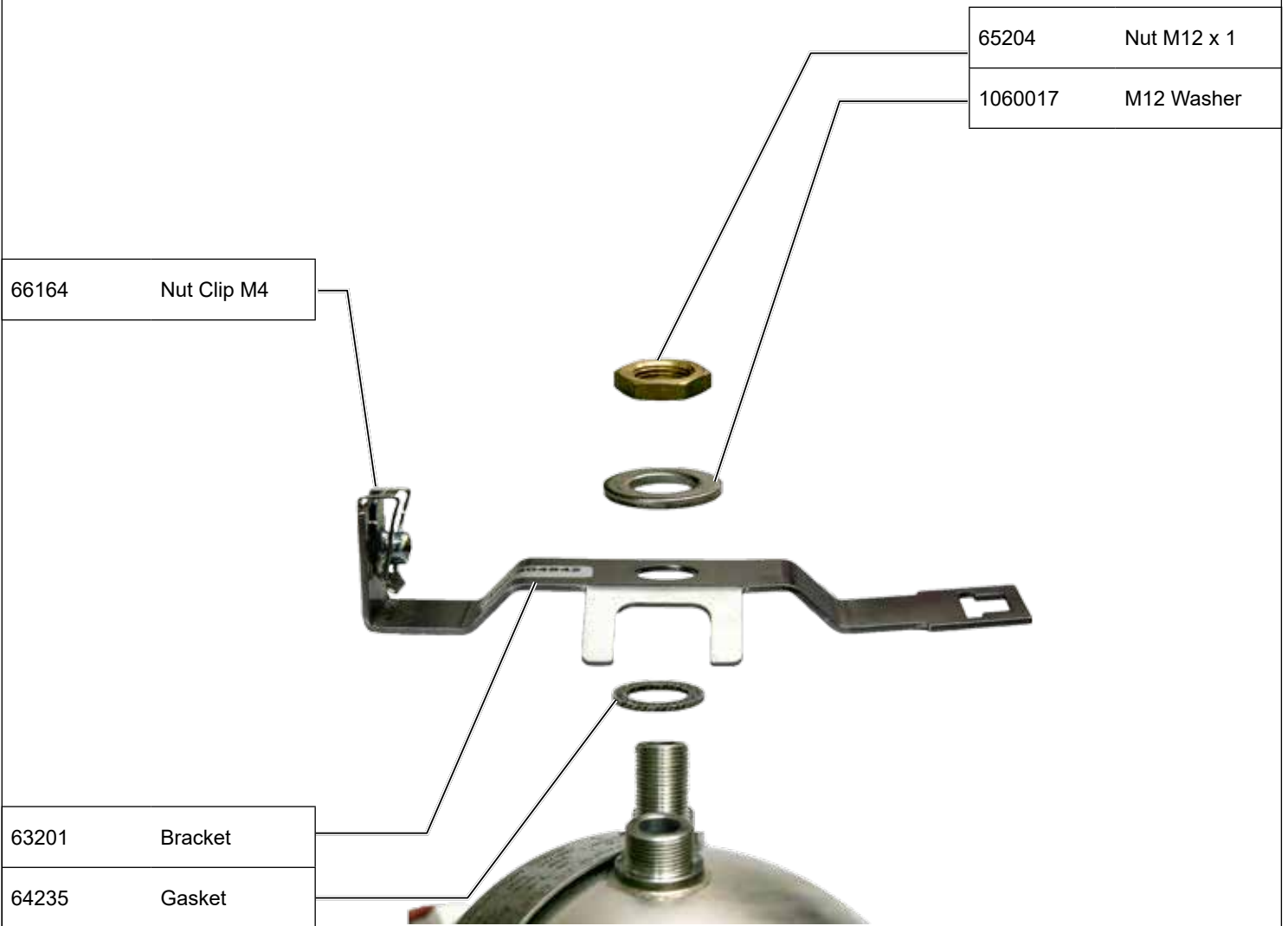


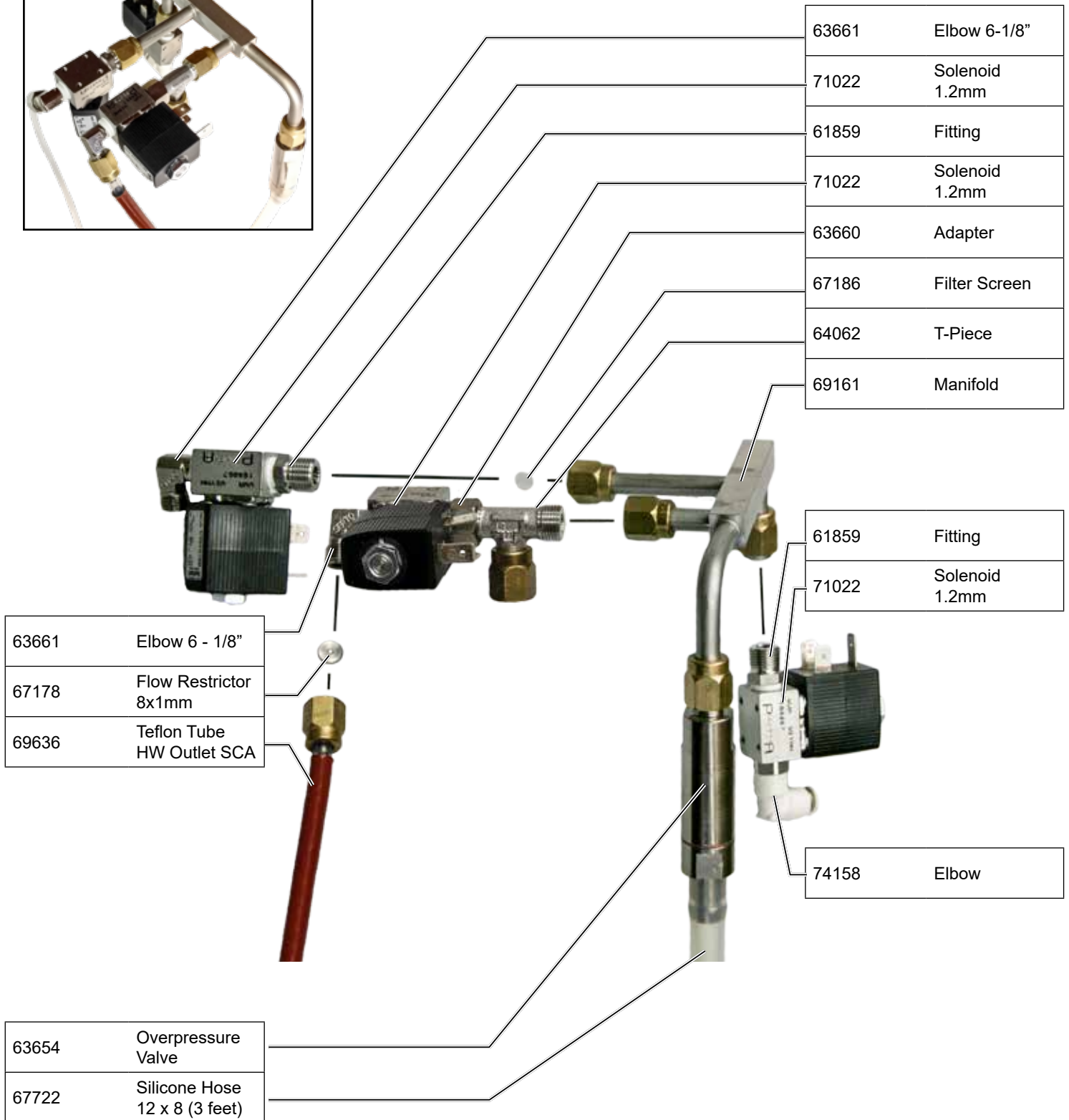
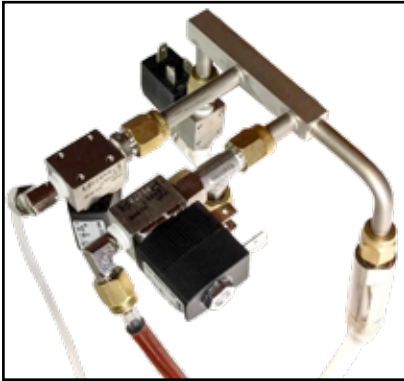
Check Valve configuration on units produced after 02/2017

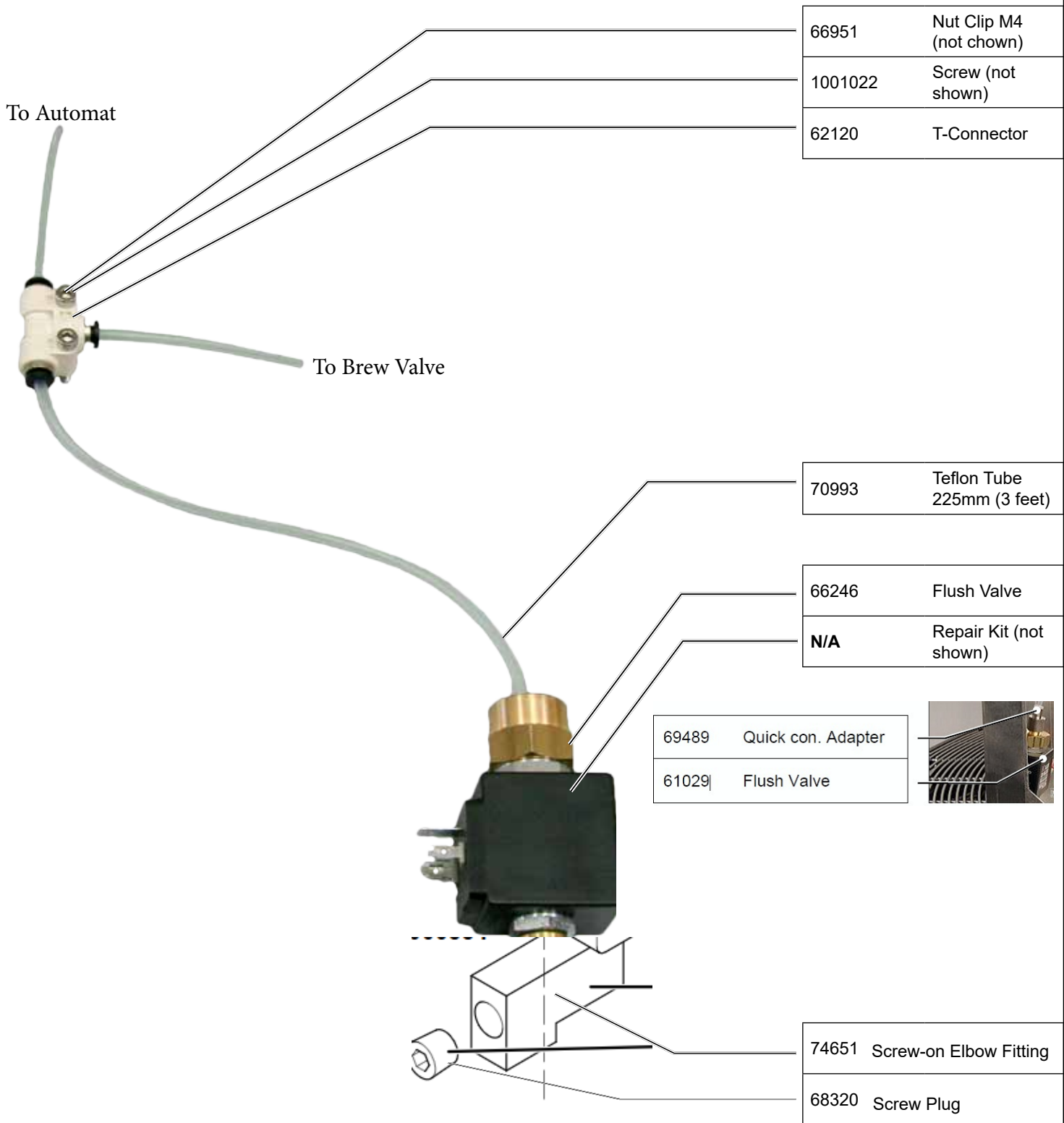


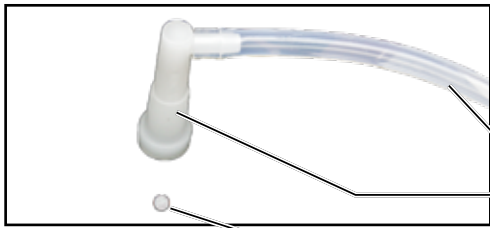
Illustrated Parts Manual **2.11.16** **Hot Water Boiler** **Page 5.1**

73835	Non-return Valve 6-6
66113	Flat Seal 5.1/10.5x2 Cu
66700	Tee Coupling 6-6-6mm Serto
63672	Double Nipple 8-6
63204	Inlet Tube Hot Water
63209	Klixon
73392	Klixon support Cover
65135	Klixon Support
See Page 5.1.1	Bracket
63318	Temp Sensor
69940	Coffee Boiler 3 kW 1 Liter
65135	Klixon Support (not shown)
63209	Klixon (not shown)









67760	Outlet Tube (3 feet)
65308	Elbow
63099	Check Ball

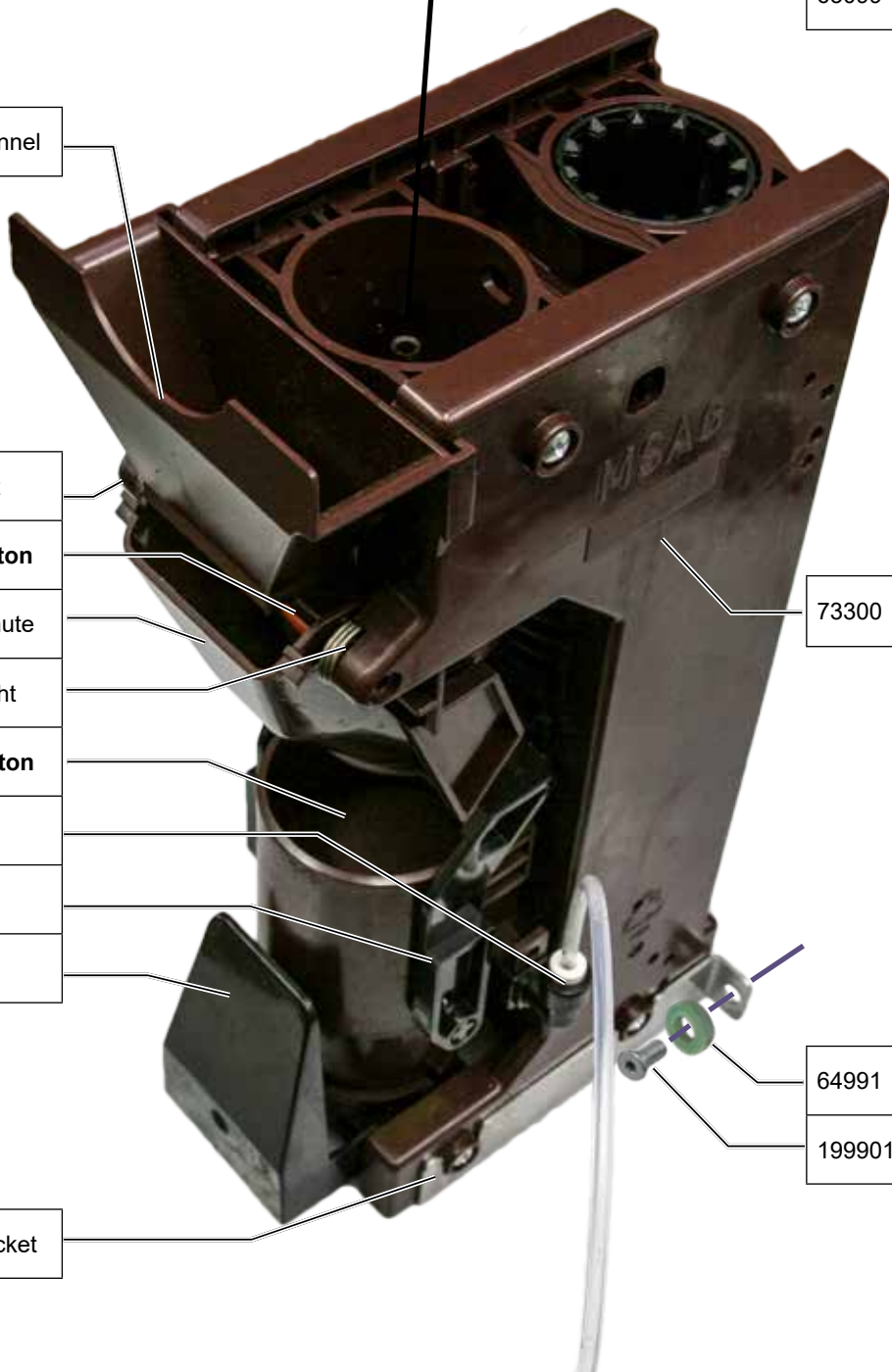
71719 Square Funnel

33.7007.3227	Spring Left
See Page 6.1.1	Upper Piston
33.7007.3210	Ground Chute
33.7007.3228	Spring Right
See Page 6.1.1	Lower Piston
See Page 6.1.1	Inlet
33.7007.3209	Scraper
33.7007.3212	Protection Plate

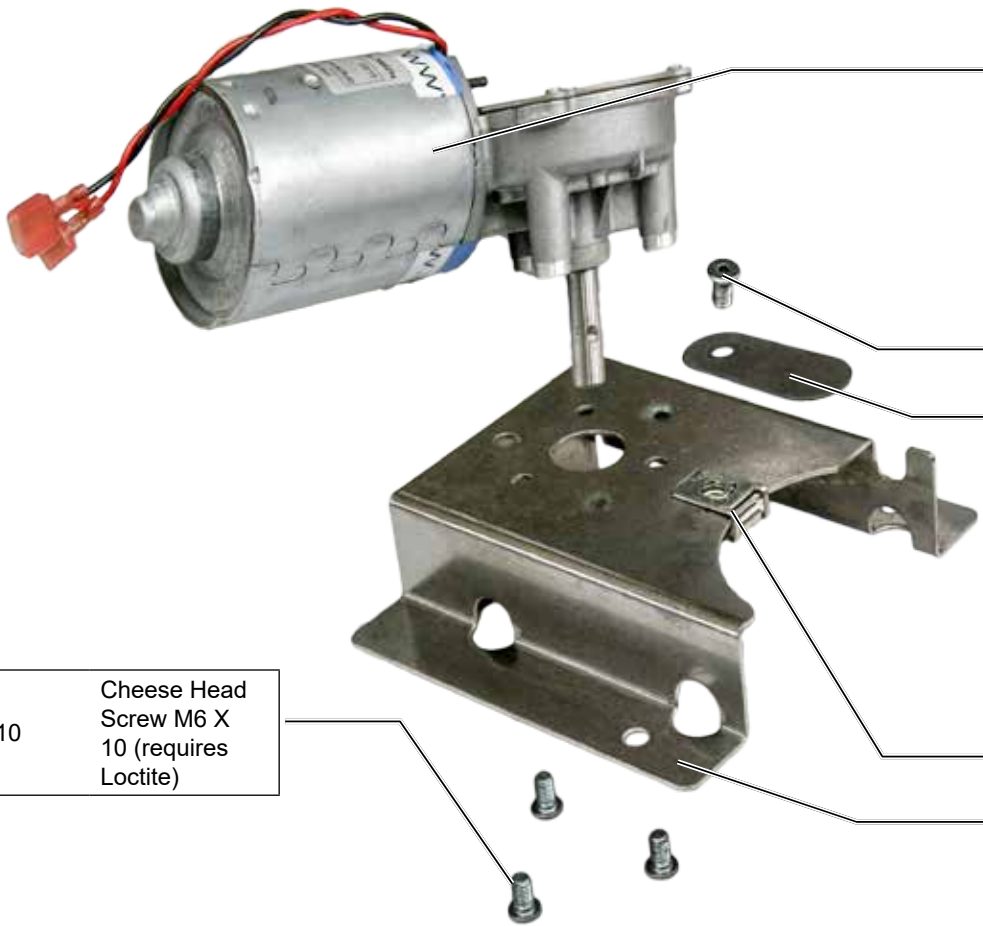
73300 30G Automat Complete

64991	Washer
1999010	Screw

63270 Lower Bracket



62693	O-Ring			
73250	Restrictor Insert			
33.7007.3224	O-Ring			
49999	Support Tube			
33.7007.3220	Upper Piston			
73222	Upper Piston O-Ring			
70993	Automat Inlet Tube (3 feet)			
65314	Lock			
65192	O-Ring			
65089	Angle			
			61998	Support Bracket
			65072	Spindle Support
			73223	Lower Piston O-Ring
			33.7007.3230	Lower Piston
			33.7007.3211	Clip Ring
			33.7007.3217	Lower Piston Support
62622	Locking Lever (not Shown)			



65006 Motor for Automat (36v)

1999010 Cheese Head Screw M6 X 10

65344 Elbow Holder

1999010 Cheese Head Screw M6 X 10 (requires Loctite)

66164 Nut Clip M6

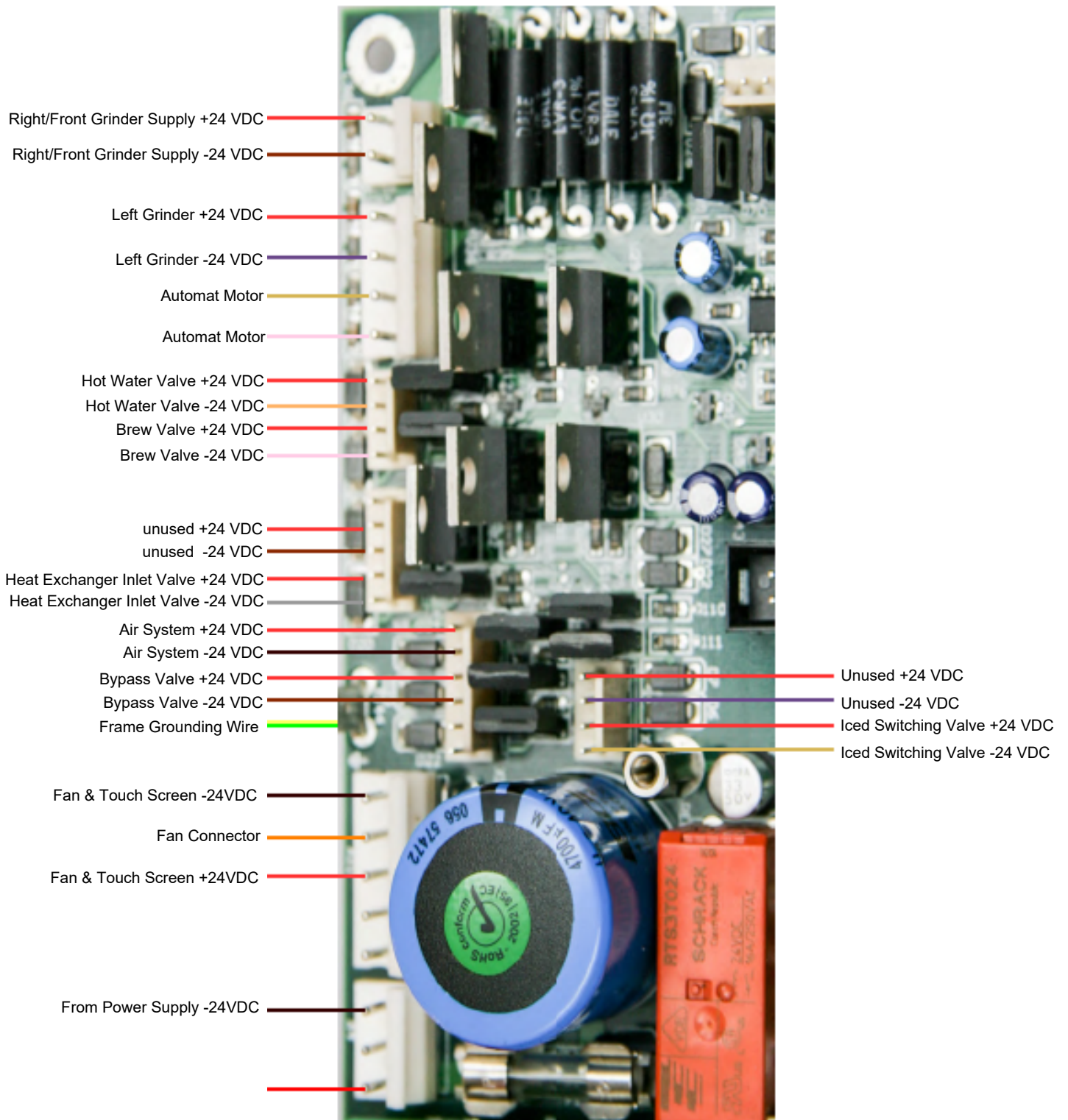
63271 Motor Bracket

65222	Automat Drive Gear
1009048	Set Screw Long
1009047	Set Screw Short

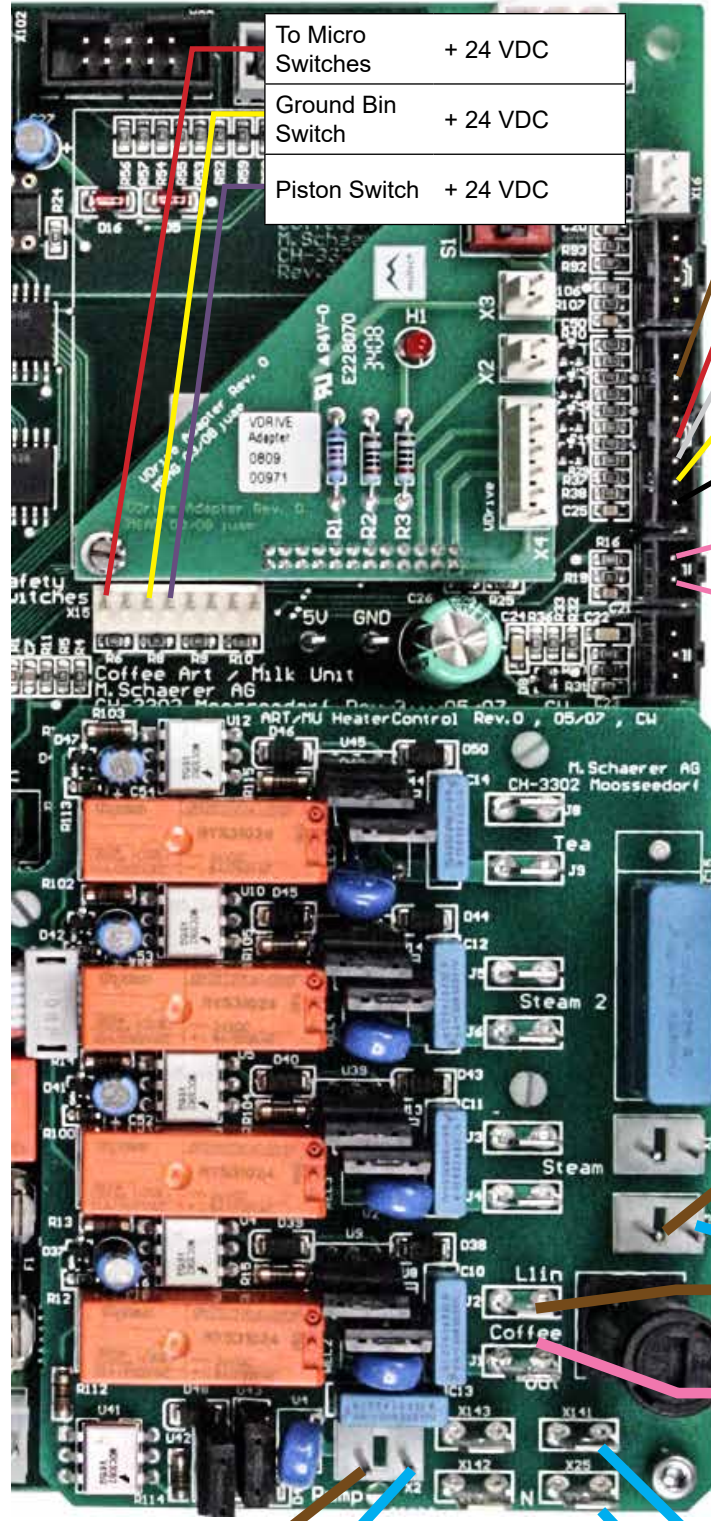
Illustrated Parts Manual	2.11.16	Electronics	Main Board	Page 7.1
---------------------------------	----------------	--------------------	-------------------	-----------------

The diagram illustrates the Main Board assembly with the following components and their part numbers:

- 1001012** Screw M3
- 1073004** Washer M3
- 68720** Power Supply incl. Bracket/Wires
- 61710** CPU (rev. 2)
- 1403004** Washer M4
- 1001015** Screw M4
- 69068** Main Board Complete
- 69468** Main Board without relay board/vdrive board/CPU
- 65056** 8 Amp Fuse
- 63438** Spacer for Main Board
- 69251** Screw Adapter (not shown)
- 26304** 2 Amp Fuse
- 69069** Relay Board
- 69738** VDrive Adapter
- 26304** 2 Amp Fuse
- 3G Relay Coil (X17)**
- 3G Relay Coil (X17)**



Illustrated Parts Manual **2.11.16** **Main Board** **Main Board Bottom** **Page 7.3**



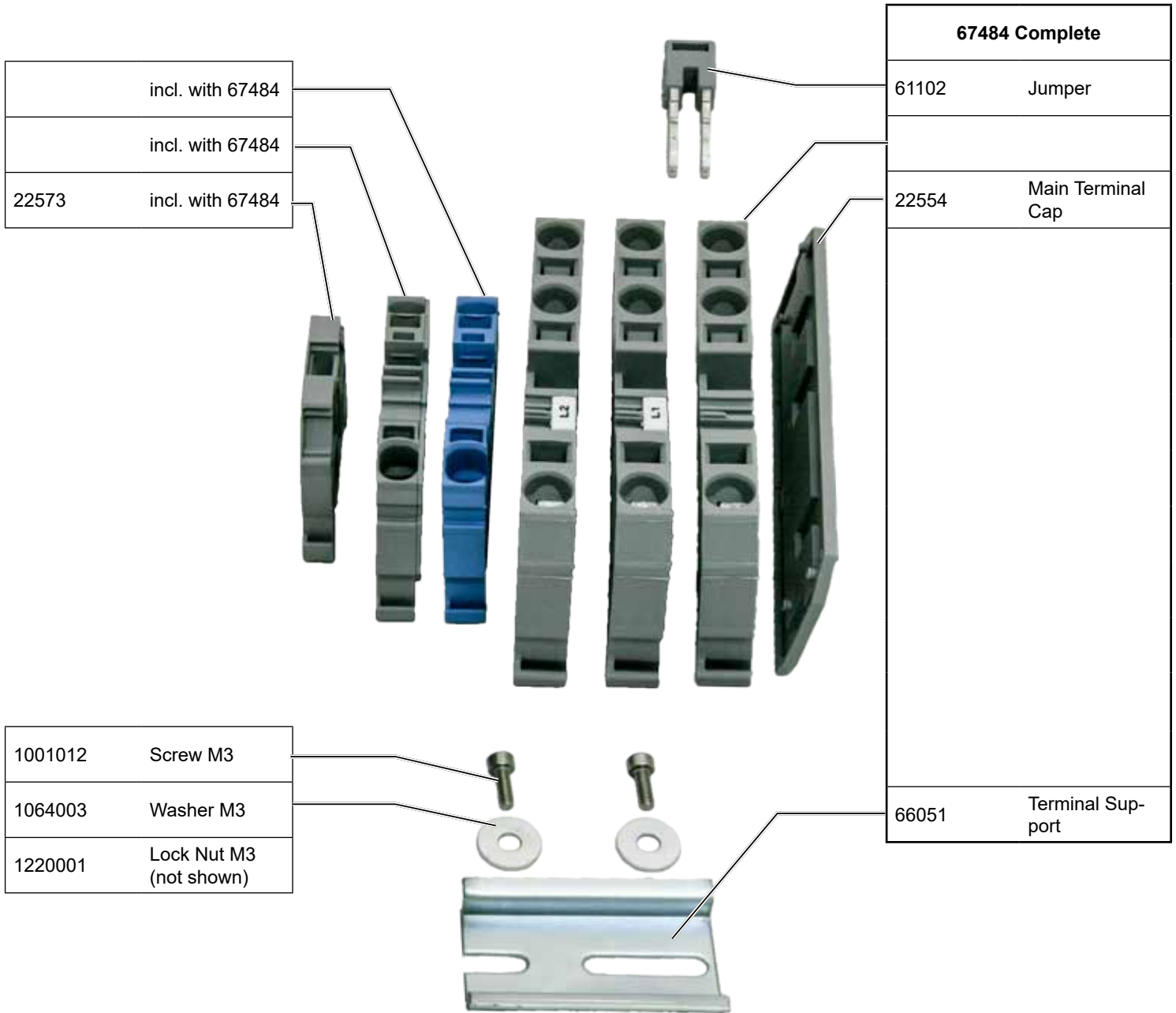
To Micro Switches	+ 24 VDC
Ground Bin Switch	+ 24 VDC
Piston Switch	+ 24 VDC

Tablet Lid Switch	- 24 VDC
Tablet Lid Switch	+ 24 VDC
Flowmeter Impulse	
Flowmeter	+ 5 VDC
Flowmeter Ground	
Temp Probe Hot Water	
Temp Probe Hot Water	

To Power Supply L2
To Power Supply L1
From Main Term L2
To Coffee Boiler Element

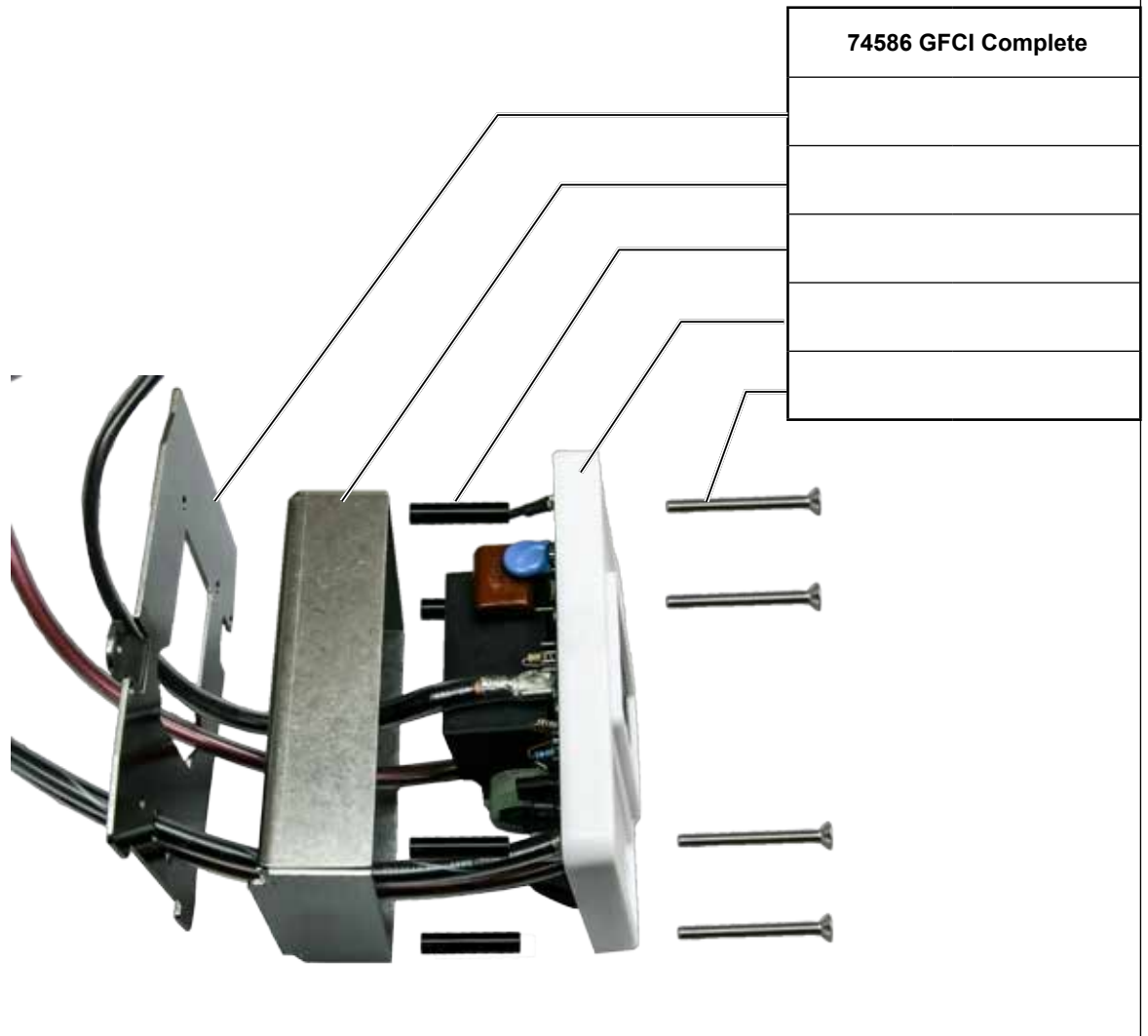
Pump Motor
Pump Motor

From Main Term L1
From Coffee Boiler Element



67484 Complete	
61102	Jumper
22554	Main Terminal Cap
66051	Terminal Support

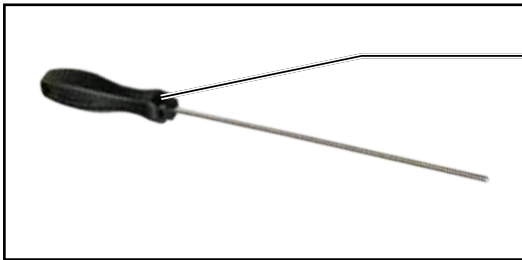
1001012	Screw M3
1064003	Washer M3
1220001	Lock Nut M3 (not shown)





65320 Hex Key Special (short)

63935 Service Card



65321 Hex Key Long

71917 Save Data Disc



67399 Food Grade Grease for O-Rings

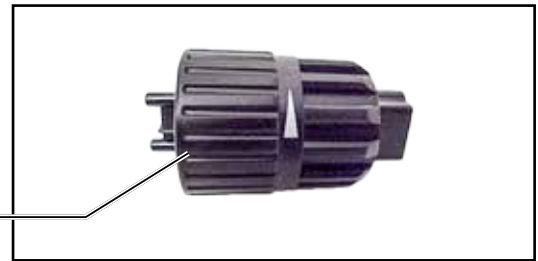


65303 Grease for Automat



67391 Thermal Paste for Klixons

62985 Automat Adjustment Knob

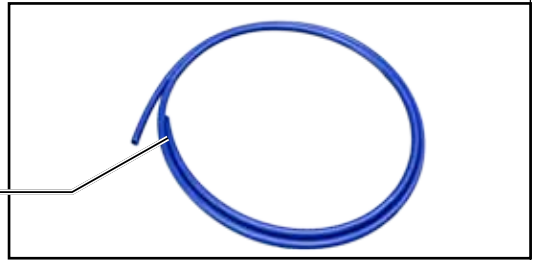


Illustrated Parts Manual **2.11.16** **Miscellaneous** **Tools & Accessories** **Page 8.2**



58334 John Guest Fitting

~~PE64~~
~~100-B~~ Blue Tubing



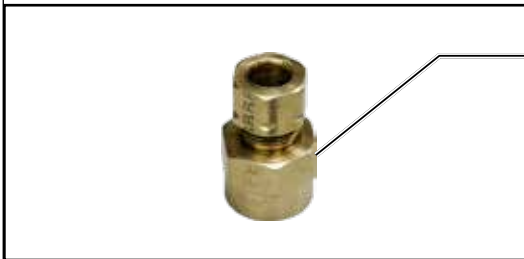
71042 Repair Set 3/2 Way Valve

68178 Nipple 10 - 3/8



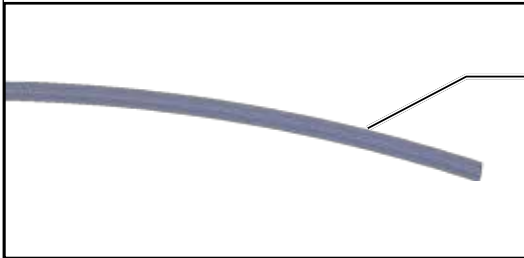
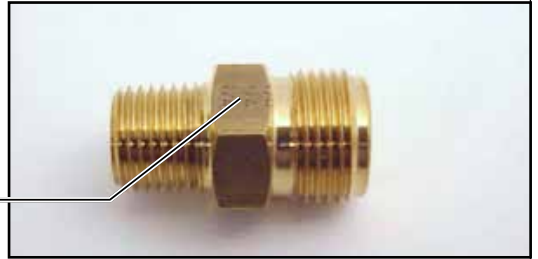
71041 Repair Set Solenoid

68179 Nipple 10 - 1/2



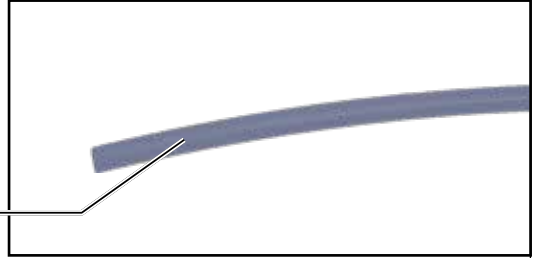
SSE 00491 3/8" Captive Compression Unit

68501 Nipple 10 - 1/4

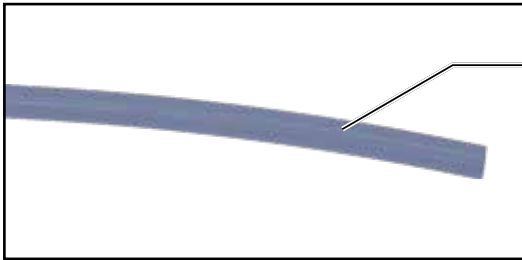


70993 Teflon Tube 4-2.5mm (3 feet)

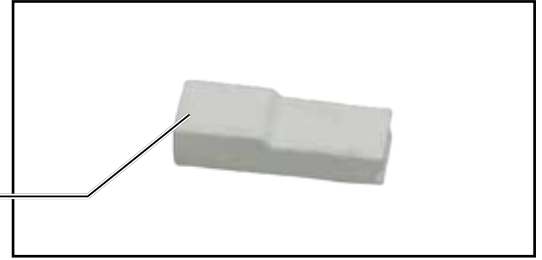
67760 Teflon Tube 6-4mm (3 feet)



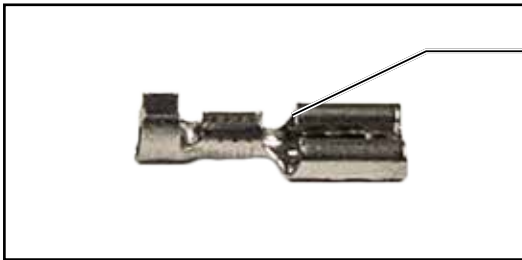
Illustrated Parts Manual | **2.11.16** | **Miscellaneous** | **Tools & Accessories** | **Page 8.3**



67762 Teflon Tube
6-3mm (3 feet)



65246 Cover for Plug



65258 Heater Plug



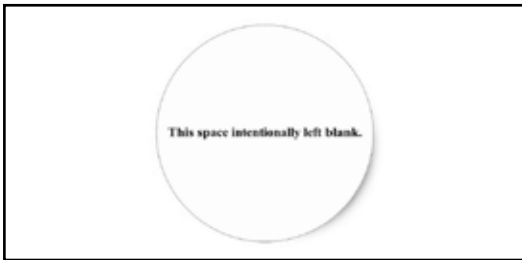
63627 Wire Tree to
Decaf Grinder



9610000116 Schaerer Clean-
ing Tablets



67409 Large Cleaning
Brush



68864 - Complete grinder kit from 2 to 3 grinder



Glass bean hopper lid sold with Hopper
68230 Glass Bean Hopper
73719 Grinder Seal

74519	3G Top Plate
1999023	Security Screw
68719	Tab Insert
69494	Side Rail
68235	Bean Hopper Bracket
74292	Cap for Grinder Adjustment
69431	Rear Rail



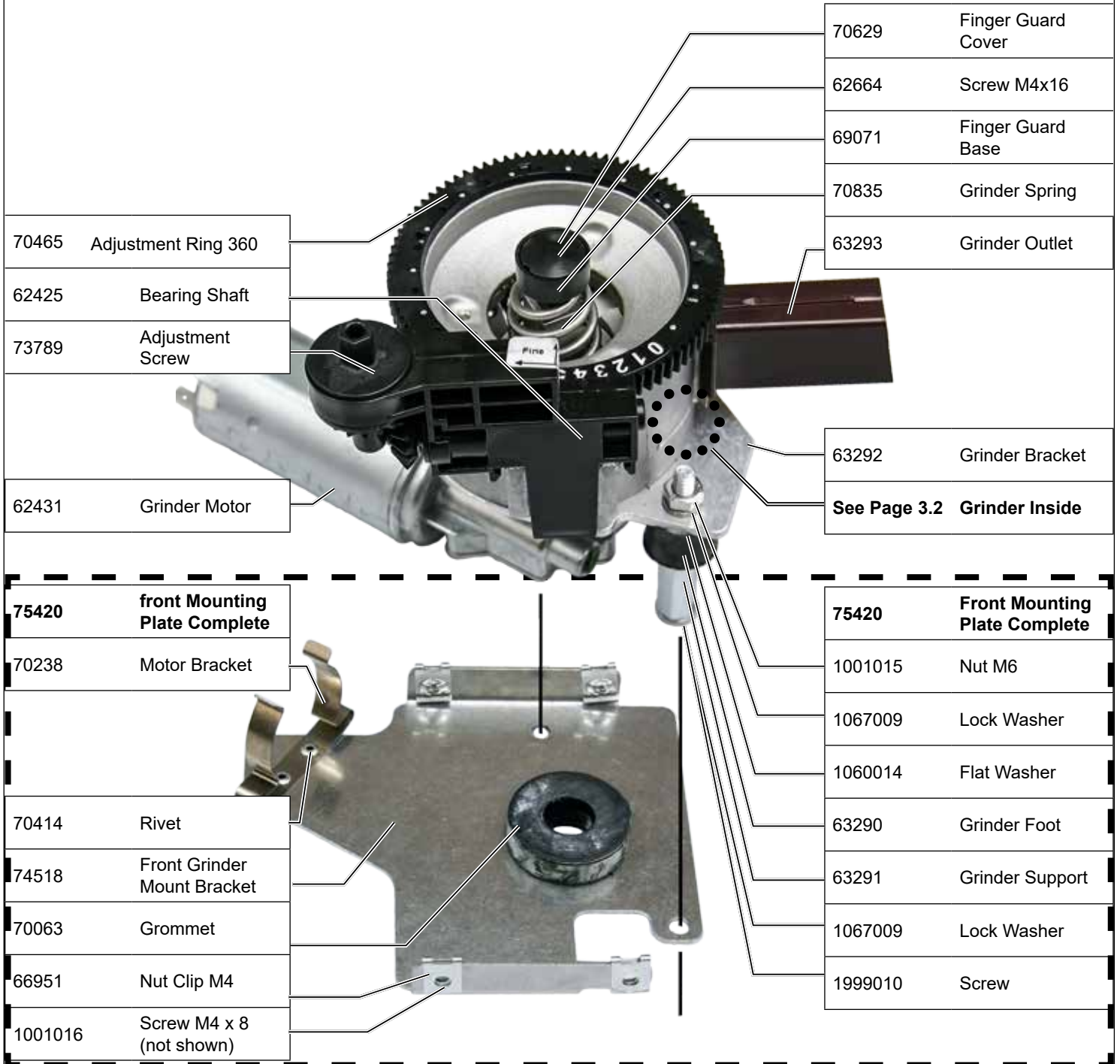
62080	Screw for Tab- let Insert
-------	------------------------------

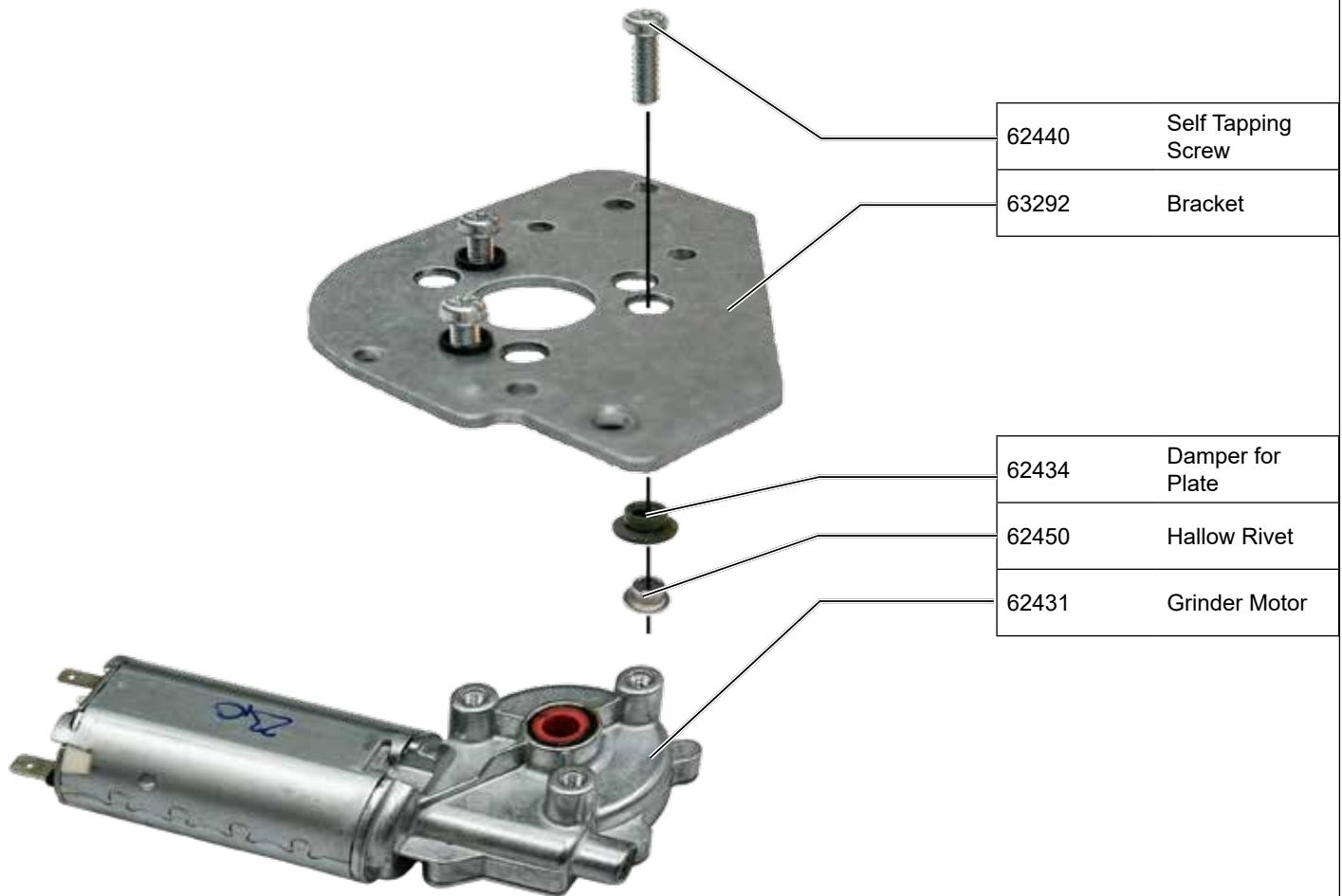


1001016	Screw for Bean Hopper Bracket
68719	Tablet Insert

1001016	Screw for Side/ Rear Rail
---------	------------------------------

74364 Front Grinder Complete





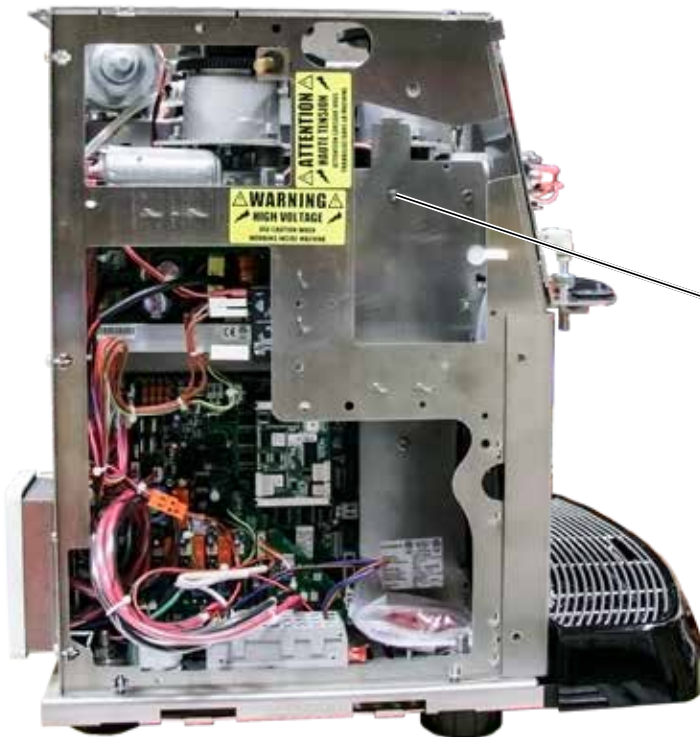
3G Grinder Front Motor Bracket Configuration



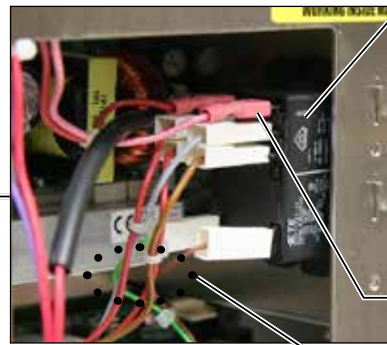
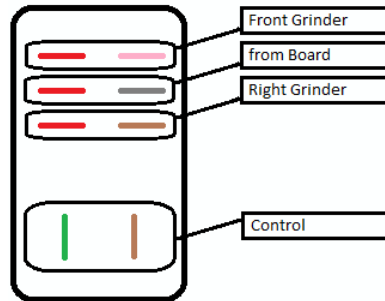
73774 Android (3G)
See Page 9.2 Grinder



74369 Front Plate



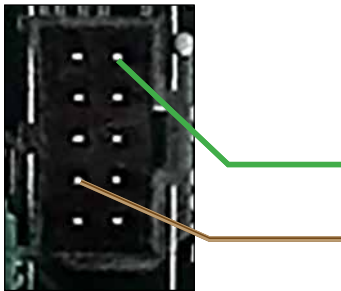
62080 Screw for 3G
Bracket



73854 Relay

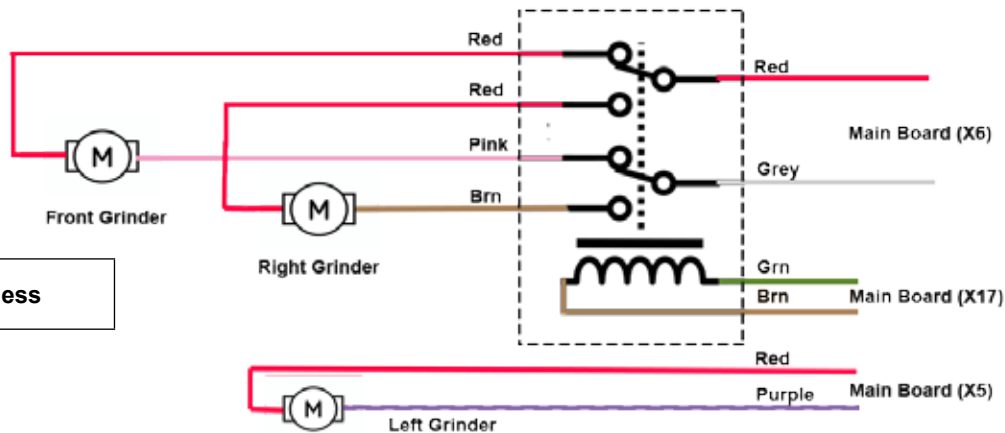


73846 Front Grinder Wiring
74542 Relay Control Wiring



Main Board Terminal X17

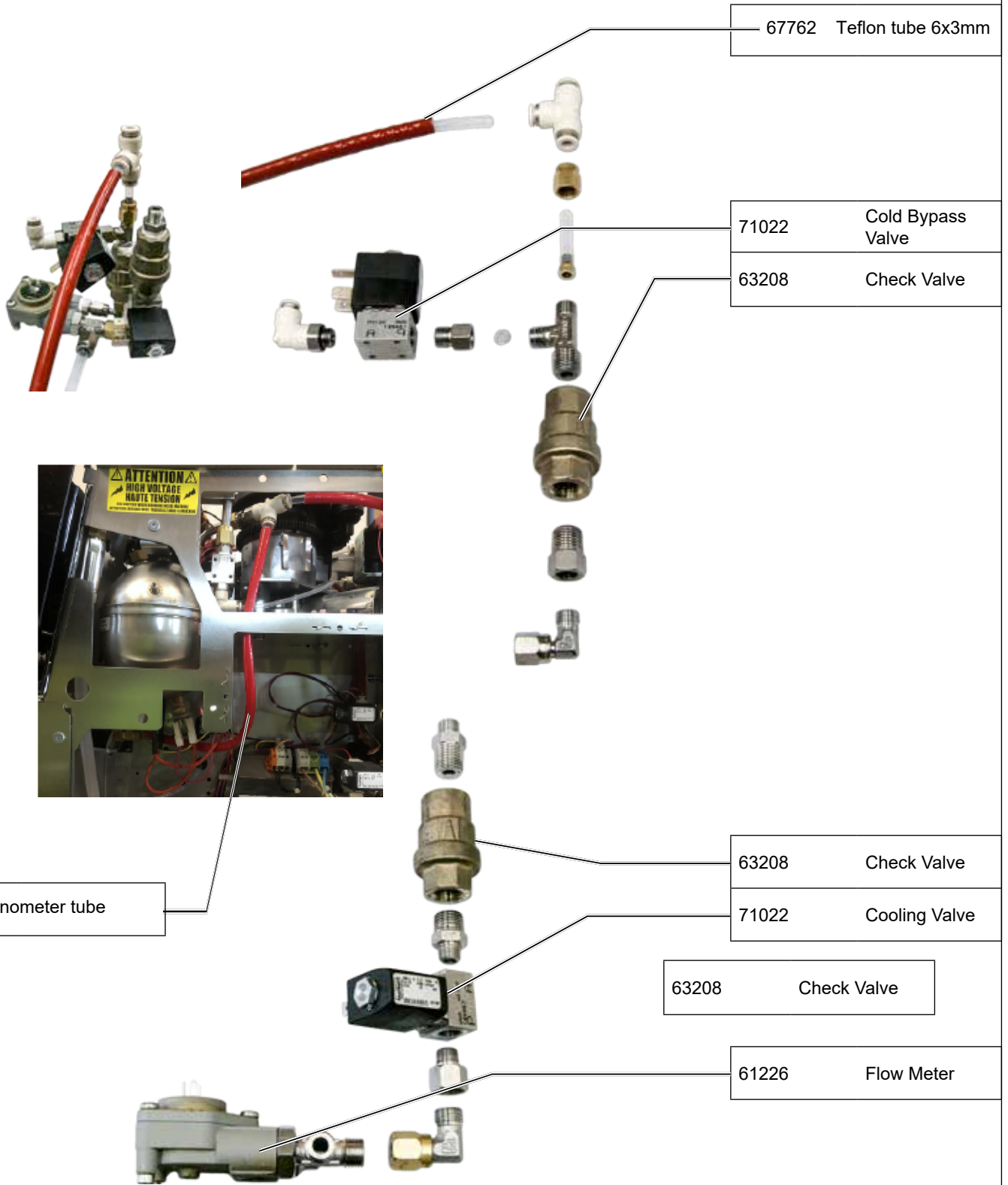
65538 Hook and Loop



3G Wiring Harness



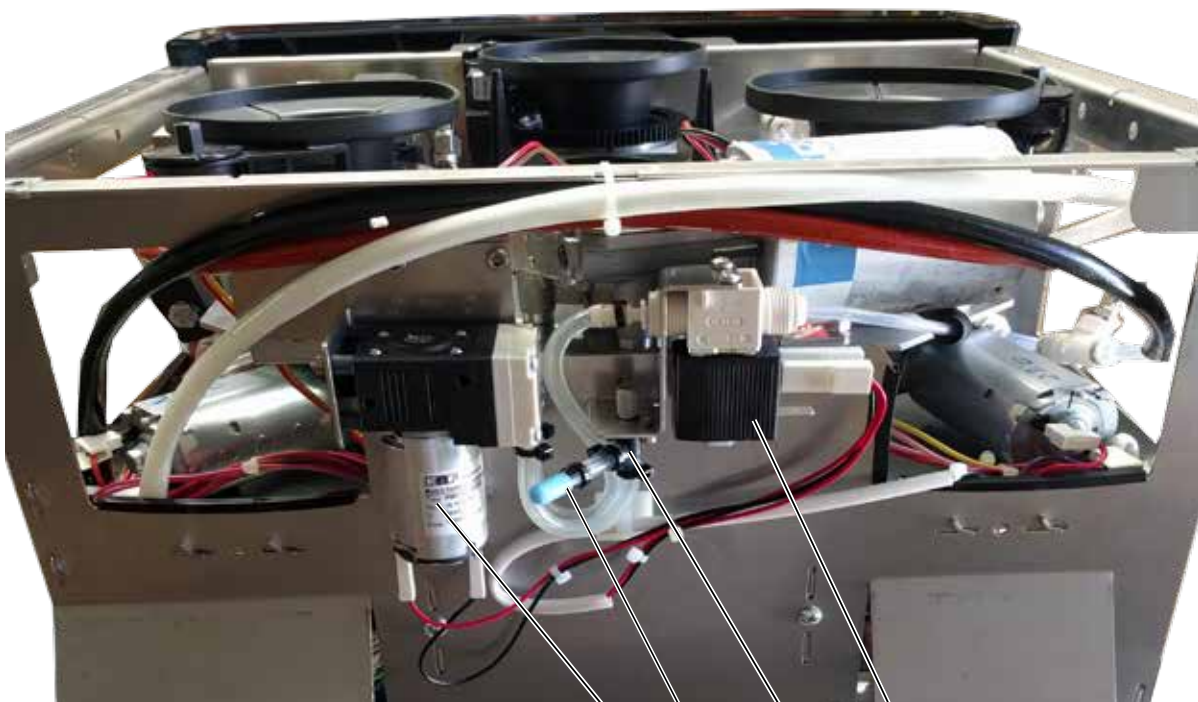
See Page 10.2 Flow Meter Assembly HC





75600 Heat Exchanger Complete





33.2450.0000	2/2 way valve
69500	Air restrictor valve
63123	Silicon Hose
66311	Air Pump
69569	Blue Air Filter

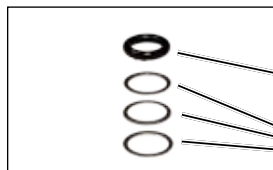


- 74440 3 Way Valve Hot Cold
- 64450 Outlet Stem with 6-6-4 Tee

73835 NON-RETURN VALVE 0.1-16 BAR PPSU



73229 Automat Plug In Adapter



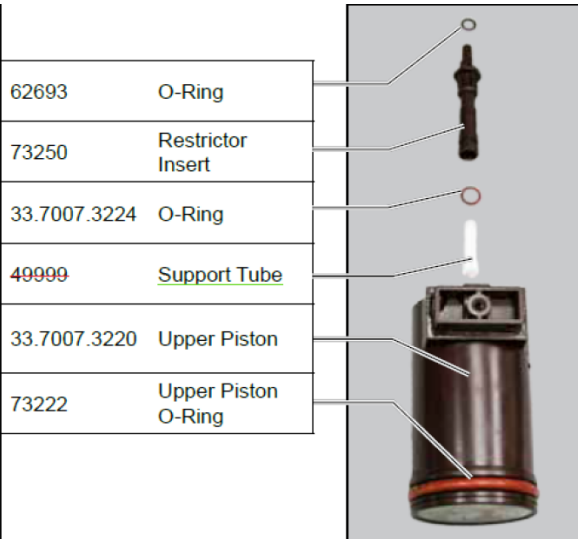
- 62693 O-Ring
- 33.2317.4000 Washer



63099 Check Ball



73250 Restrictor Insert



- 62693 O-Ring
- 73250 Restrictor Insert
- 33.7007.3224 O-Ring
- 49999 Support Tube
- 33.7007.3220 Upper Piston
- 73222 Upper Piston O-Ring



74632 Dual Dispense Front Panel (plastic only)



69135 Hot Water Buttons

69118 Cover

69076 Front Panel Complete with Right btns